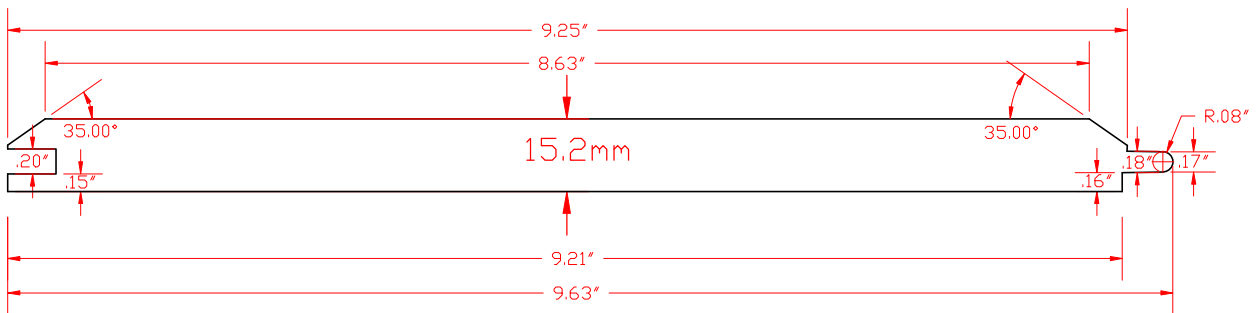




PRODUCT DRAWING

REV.	DATE	DESCRIPTION



9 1/4" V-GROOVE

THIS DOCUMENT CONTAINS PROPRIETARY INFORMATION WHICH SHALL NOT BE REPRODUCED, TRANSFERRED TO OTHER DOCUMENTS, DISCLOSED TO OTHERS, USED FOR MANUFACTURING OR ANY OTHER PURPOSE, WITHOUT PRIOR WRITTEN PERMISSION BY JAIN AMERICA HOLDINGS

JAIN BUILDING PRODUCTS

9 1/4" V GROOVE

APPROVALS		DATE	SIZE	MACHINE ID.	DRAWING NO.	REV.
DRAWN	MK	11/03/2025				
ISSUED	BW					
REVISED						

SCALE: FILE: SHEET OF