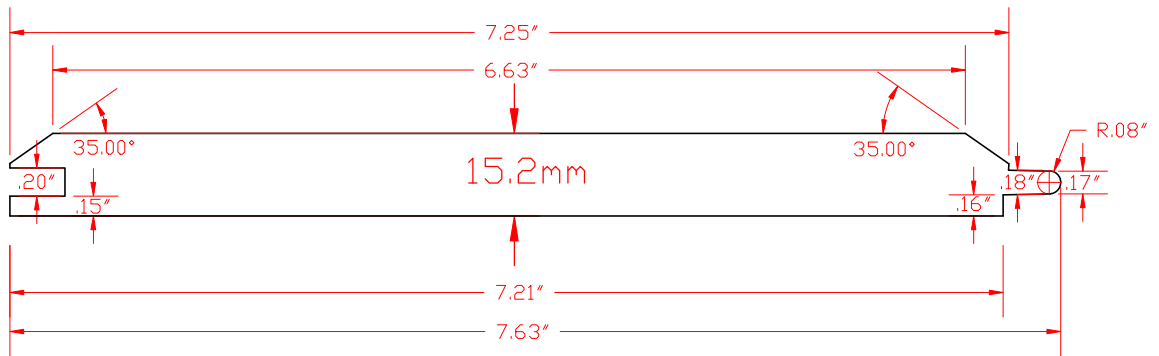


PRODUCT DRAWING

REV.	DATE	DESCRIPTION



7.25" V-GROOVE

THIS DOCUMENT CONTAINS PROPRIETARY INFORMATION WHICH SHALL NOT BE REPRODUCED, TRANSFERRED TO OTHER DOCUMENTS, DISCLOSED TO OTHERS, USED FOR MANUFACTURING OR ANY OTHER PURPOSE, WITHOUT PRIOR WRITTEN PERMISSION BY JAIN AMERICA HOLDINGS			JAIN BUILDING PRODUCTS				
			7 1/4" V-GROOVE				
APPROVALS		DATE		SIZE	MACHINE ID.	DRAWING NO.	REV.
DRAWN	MK	11/03/2025			WEINING		
ISSUED	BW						
REVISED				SCALE:	FILE:		SHEET OF