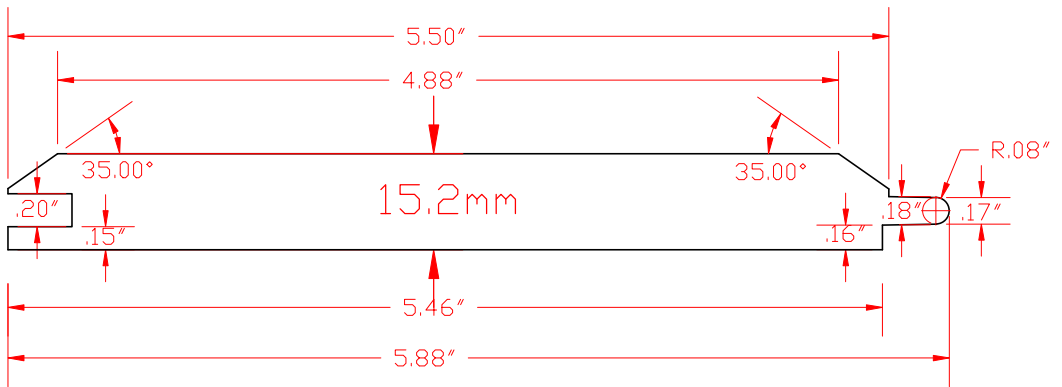


PRODUCT DRAWING

REV.	DATE	DESCRIPTION



5.5" V-GROOVE

<small>THIS DOCUMENT CONTAINS PROPRIETARY INFORMATION WHICH SHALL NOT BE REPRODUCED, TRANSFERRED TO OTHER DOCUMENTS, DISCLOSED TO OTHERS, USED FOR MANUFACTURING OR ANY OTHER PURPOSE WITHOUT PRIOR WRITTEN PERMISSION BY JAIN AMERICA HOLDINGS</small>			JAIN BUILDING PRODUCTS			
			5.5 V-GROOVE			
APPROVALS		DATE	SIZE	MACHINE ID.	DRAWING NO.	REV.
DRAWN	MK	11/03/2025	5.5			
ISSUED	BW					
REVISED			SCALE:	FILE:	SHEET	OF