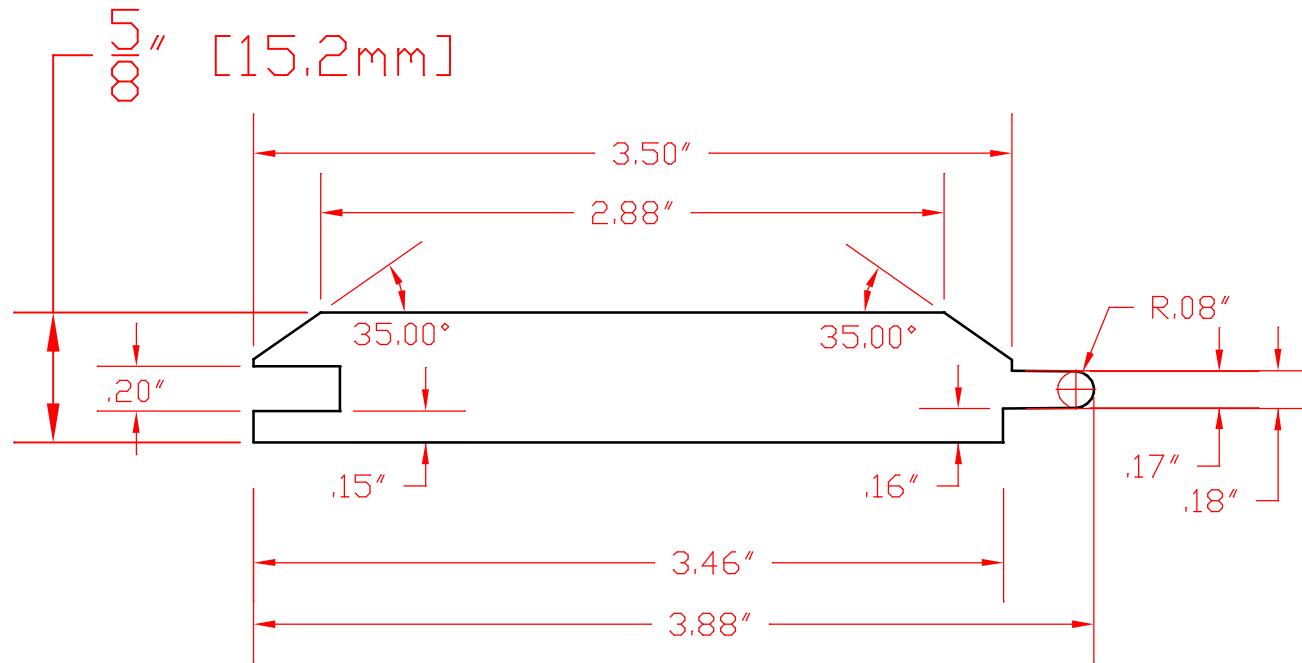


MANUFACTURING DRAWING



3.5" x $\frac{5}{8}$ " [15.2mm] V-GROOVE

THIS DOCUMENT CONTAINS
PROPRIETARY INFORMATION WHICH
SHALL NOT BE REPRODUCED,
TRANSFERRED TO OTHER DOCUMENTS,
DISCLOSED TO OTHERS, USED FOR
MANUFACTURING OR ANY OTHER
PURPOSE WITHOUT PRIOR WRITTEN
PERMISSION BY JAIN AMERICAS, INC.

JAIN BUILDING PRODUCTS

3.5" x 15.2mm V-GROOVE

NuCedar MANUFACTURING DRAWING

APPROVALS		DATE	MACHINE: WEINIG-1	DRAWING NO: VG-002r00	REV:
DRAWN	PHS	8/25/25			
REVISED					
APPROVED	BW	8/25/25	FILE: VG-002r00.dwg		