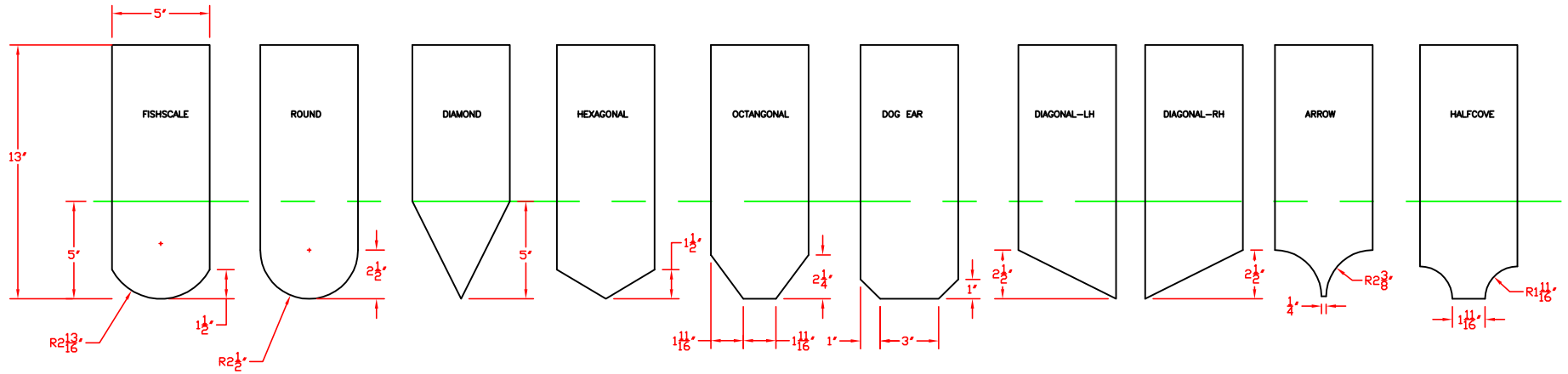


# PRODUCT DRAWING

REV.	DATE	DESCRIPTION



NOTE:  
 DIMENSIONS FOR 5" WIDE x 13"  
 OAL FANCY CUT SHINGLES WITH  
 5" EXPOSURE

THIS DOCUMENT CONTAINS PROPRIETARY INFORMATION WHICH SHALL NOT BE REPRODUCED, TRANSFERRED TO OTHER DOCUMENTS, DISCLOSED TO OTHERS, USED FOR MANUFACTURING OR ANY OTHER PURPOSE WITHOUT PRIOR WRITTEN PERMISSION BY JAIN AMERICA HOLDINGS

APPROVALS		DATE
DRAWN	PHS	11/5/18
ISSUED	PHS	
REVISED	PHS	4/23/20

**JAIN BUILDING PRODUCTS**

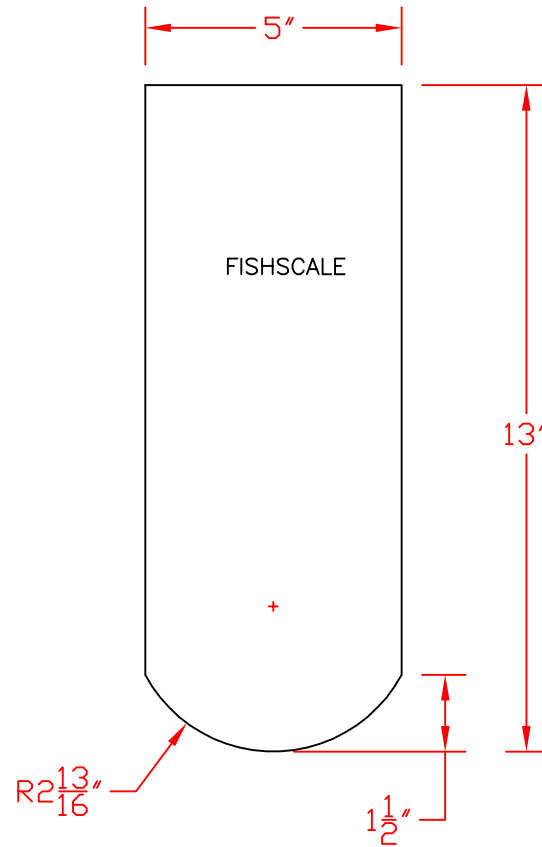
13" x 5" FANCY CUT SHINGLES  
 NuCedar PRODUCT DRAWING

SIZE	MACHINE ID.	DRAWING NO.	REV.
B		FC-000r03	3

SCALE: None	FILE: FC-000r03.dwg	SHEET 1 OF 1
-------------	---------------------	--------------

# PRODUCT DRAWING

REV.	DATE	DESCRIPTION



THIS DOCUMENT CONTAINS PROPRIETARY INFORMATION WHICH SHALL NOT BE REPRODUCED, TRANSFERRED TO OTHER DOCUMENTS, DISCLOSED TO OTHERS, USED FOR MANUFACTURING OR ANY OTHER PURPOSE WITHOUT PRIOR WRITTEN PERMISSION BY JAIN AMERICA HOLDINGS

**JAIN BUILDING PRODUCTS**

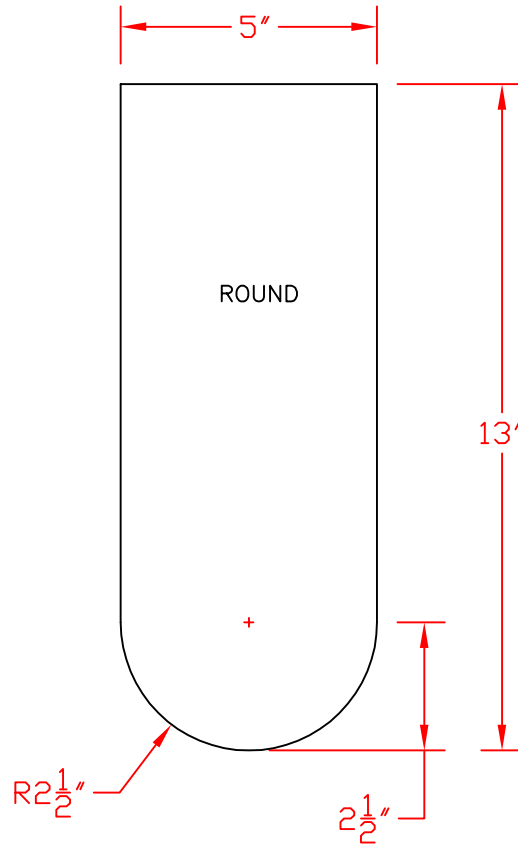
**FANCY CUT-FISHSCALE**

NUCEDAR PRODUCT DRAWING

APPROVALS			DATE			SIZE	MACHINE ID.	DRAWING NO.	REV.
DRAWN	PHS	9/20/19	ISSUED	PHS	9/20/19				
REVISED	PHS	4/23/20	SCALE: FULL			FILE: FC-001r01.dwg		SHEET 1 OF 1	

# PRODUCT DRAWING

REV.	DATE	DESCRIPTION



THIS DOCUMENT CONTAINS PROPRIETARY INFORMATION WHICH SHALL NOT BE REPRODUCED, TRANSFERRED TO OTHER DOCUMENTS, DISCLOSED TO OTHERS, USED FOR MANUFACTURING OR ANY OTHER PURPOSE WITHOUT PRIOR WRITTEN PERMISSION BY JAIN AMERICA HOLDINGS

**JAIN BUILDING PRODUCTS**

**FANCY CUT – ROUND**

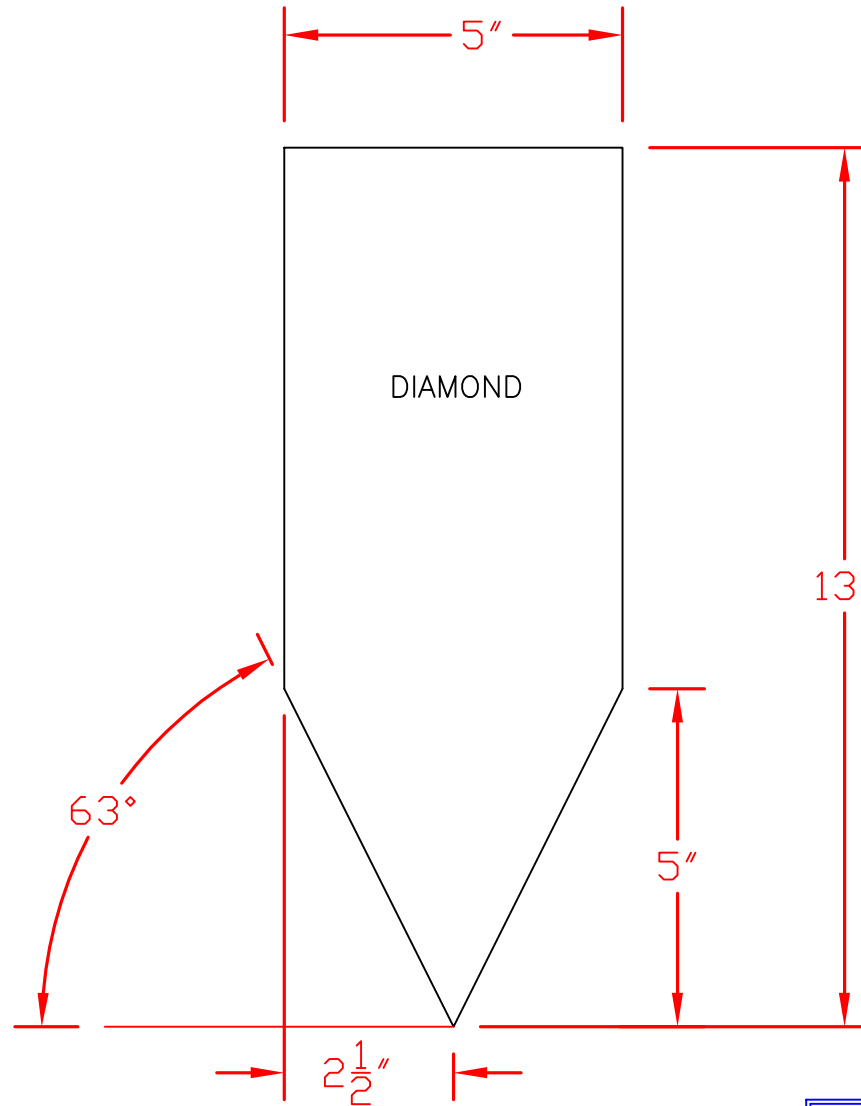
NUCEDAR PRODUCT DRAWING

APPROVALS			DATE	SIZE	MACHINE ID.	DRAWING NO.	REV.
DRAWN	PHS	9/20/19	9/20/19	A		FC-004r01	1
ISSUED	PHS	9/20/19					
REVISED	PHS	4/24/20					

SCALE: FULL FILE: FC-004r01.dwg SHEET 1 OF 1

# PRODUCT DRAWING

REV.	DATE	DESCRIPTION



THIS DOCUMENT CONTAINS PROPRIETARY INFORMATION WHICH SHALL NOT BE REPRODUCED, TRANSFERRED TO OTHER DOCUMENTS, DISCLOSED TO OTHERS, USED FOR MANUFACTURING OR ANY OTHER PURPOSE WITHOUT PRIOR WRITTEN PERMISSION BY JAIN AMERICA HOLDINGS

**JAIN BUILDING PRODUCTS**

**FANCY CUT – DIAMOND**

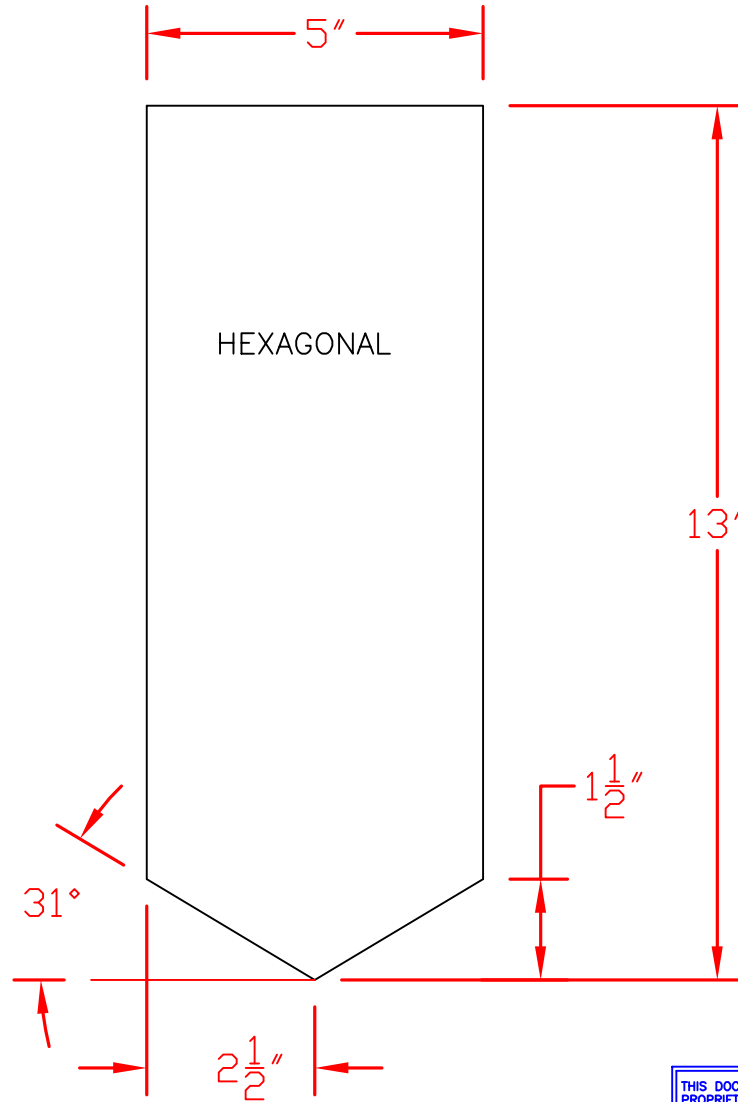
NUCEDAR PRODUCT DRAWING

APPROVALS			DATE		SIZE	MACHINE ID.	DRAWING NO.	REV.
DRAWN	PHS	10/1/19						
ISSUED	PHS	10/1/19						
REVISED	PHS	4/24/20						

SCALE:      FILE: FC-007r01.dwg      SHEET 1 OF 1

# PRODUCT DRAWING

REV.	DATE	DESCRIPTION



THIS DOCUMENT CONTAINS PROPRIETARY INFORMATION WHICH SHALL NOT BE REPRODUCED, TRANSFERRED TO OTHER DOCUMENTS, DISCLOSED TO OTHERS, USED FOR MANUFACTURING OR ANY OTHER PURPOSE WITHOUT PRIOR WRITTEN PERMISSION BY JAIN AMERICA HOLDINGS

**JAIN BUILDING PRODUCTS**

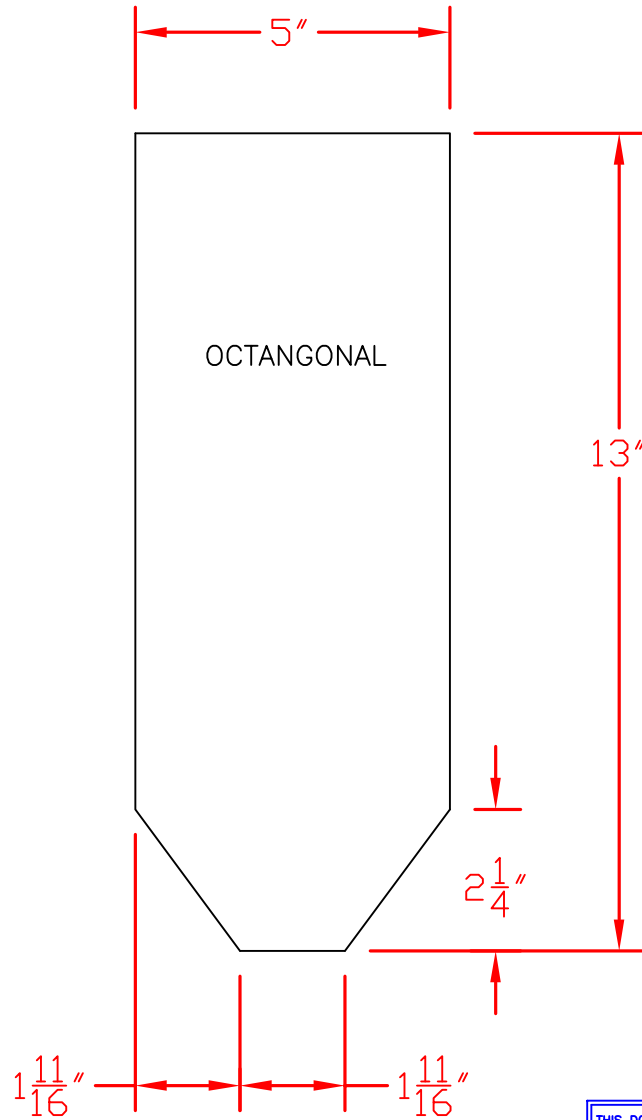
**FANCY CUT—HEXAGONAL**

NUCEDAR PRODUCT DRAWING

APPROVALS			DATE			
DRAWN	PHS	10/1/19	SIZE	MACHINE ID.	DRAWING NO.	REV.
ISSUED	PHS	10/1/19	A		FC-010r01	1
REVISED	PHS	4/24/20	SCALE:	FILE:	FC-010r01.dwg	SHEET 1 OF 1

# PRODUCT DRAWING

REV.	DATE	DESCRIPTION



THIS DOCUMENT CONTAINS PROPRIETARY INFORMATION WHICH SHALL NOT BE REPRODUCED, TRANSFERRED TO OTHER DOCUMENTS, DISCLOSED TO OTHERS, USED FOR MANUFACTURING OR ANY OTHER PURPOSE WITHOUT PRIOR WRITTEN PERMISSION BY JAIN AMERICA HOLDINGS

**JAIN BUILDING PRODUCTS**

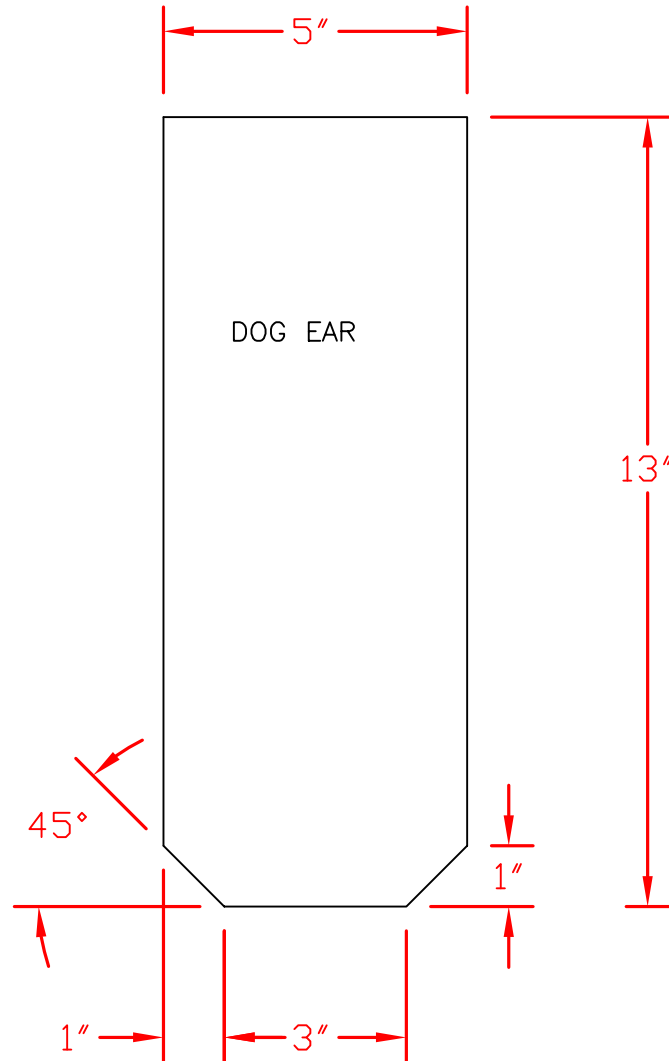
**FANCY CUT—OCTANGONAL**

NUCEDAR PRODUCT DRAWING

APPROVALS			DATE			
DRAWN	PHS	10/1/19	SIZE	MACHINE ID.	DRAWING NO.	REV.
ISSUED	PHS	10/1/19	A		FC-013r01	1
REVISED	PHS	4/24/20	SCALE:	FILE:	FC-013r01.dwg	SHEET 1 OF 1

# PRODUCT DRAWING

REV.	DATE	DESCRIPTION



THIS DOCUMENT CONTAINS PROPRIETARY INFORMATION WHICH SHALL NOT BE REPRODUCED, TRANSFERRED TO OTHER DOCUMENTS, DISCLOSED TO OTHERS, USED FOR MANUFACTURING OR ANY OTHER PURPOSE WITHOUT PRIOR WRITTEN PERMISSION BY JAIN AMERICA HOLDINGS

**JAIN BUILDING PRODUCTS**

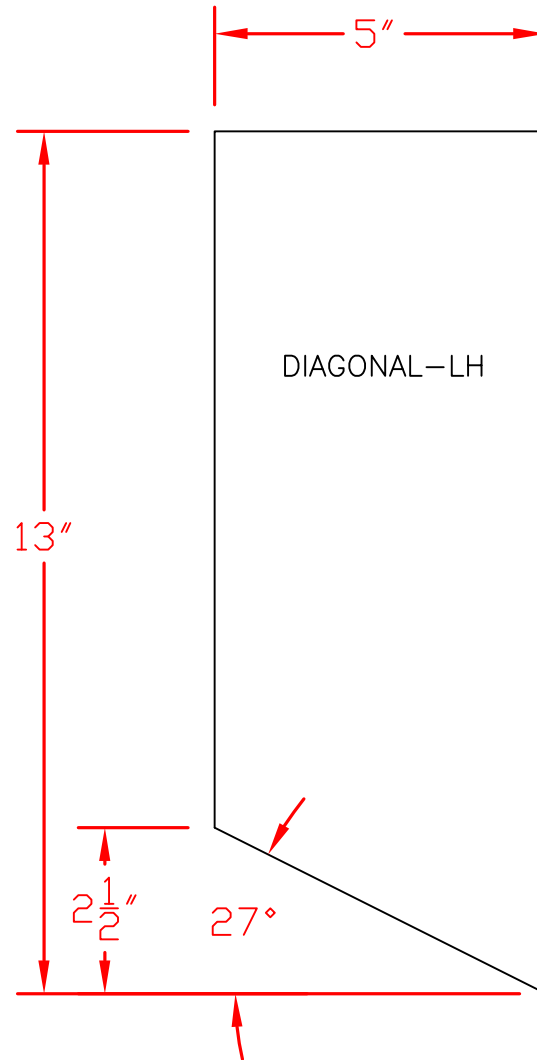
**FANCY CUT – DOG EAR**

NUCEDAR MANUFACTURING DRAWING

APPROVALS			DATE			
DRAWN	PHS	9/20/19	SIZE	MACHINE ID.	DRAWING NO.	REV.
ISSUED	PHS	9/20/19	A		FC-016r01	1
REVISED	PHS	4/24/20	SCALE:	FILE:	FC-016r01.dwg	SHEET 1 OF 1

# PRODUCT DRAWING

REV.	DATE	DESCRIPTION



THIS DOCUMENT CONTAINS  
PROPRIETARY INFORMATION WHICH  
SHALL NOT BE REPRODUCED,  
TRANSFERRED TO OTHER DOCUMENTS,  
DISCLOSED TO OTHERS, USED FOR  
MANUFACTURING OR ANY OTHER  
PURPOSE WITHOUT PRIOR WRITTEN  
PERMISSION BY JAIN AMERICA HOLDINGS

**JAIN BUILDING PRODUCTS**

FANCY CUT-DIAGONAL-LH

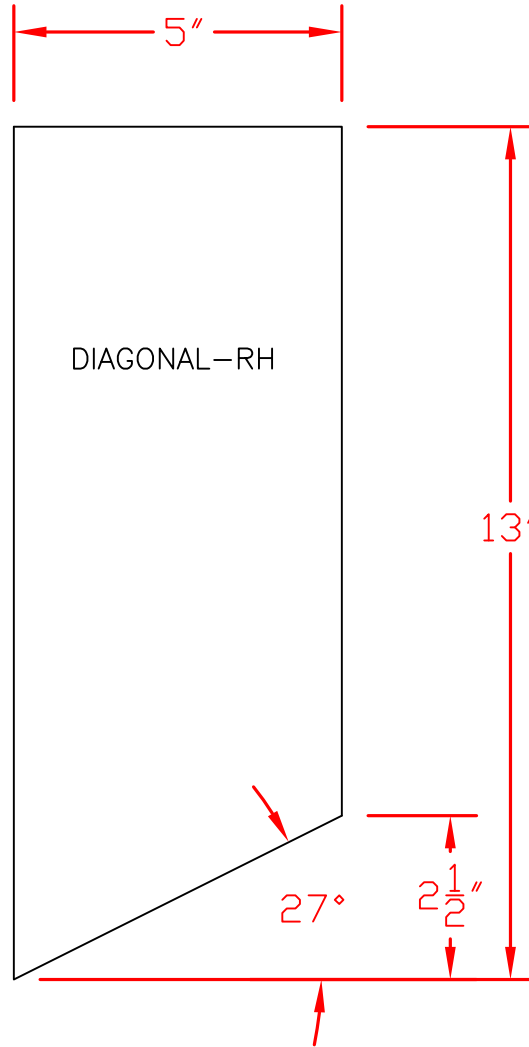
NUCEDAR PRODUCT DRAWING

APPROVALS			DATE		SIZE	MACHINE ID.	DRAWING NO.	REV.
DRAWN	PHS	10/1/19						
ISSUED	PHS	10/1/19						
REVISED	PHS	4/24/20						
SCALE:					FILE:	FC-019r01.dwg		SHEET 1 OF 1



# PRODUCT DRAWING

REV.	DATE	DESCRIPTION



THIS DOCUMENT CONTAINS PROPRIETARY INFORMATION WHICH SHALL NOT BE REPRODUCED, TRANSFERRED TO OTHER DOCUMENTS, DISCLOSED TO OTHERS, USED FOR MANUFACTURING OR ANY OTHER PURPOSE WITHOUT PRIOR WRITTEN PERMISSION BY JAIN AMERICA HOLDINGS

**JAIN BUILDING PRODUCTS**

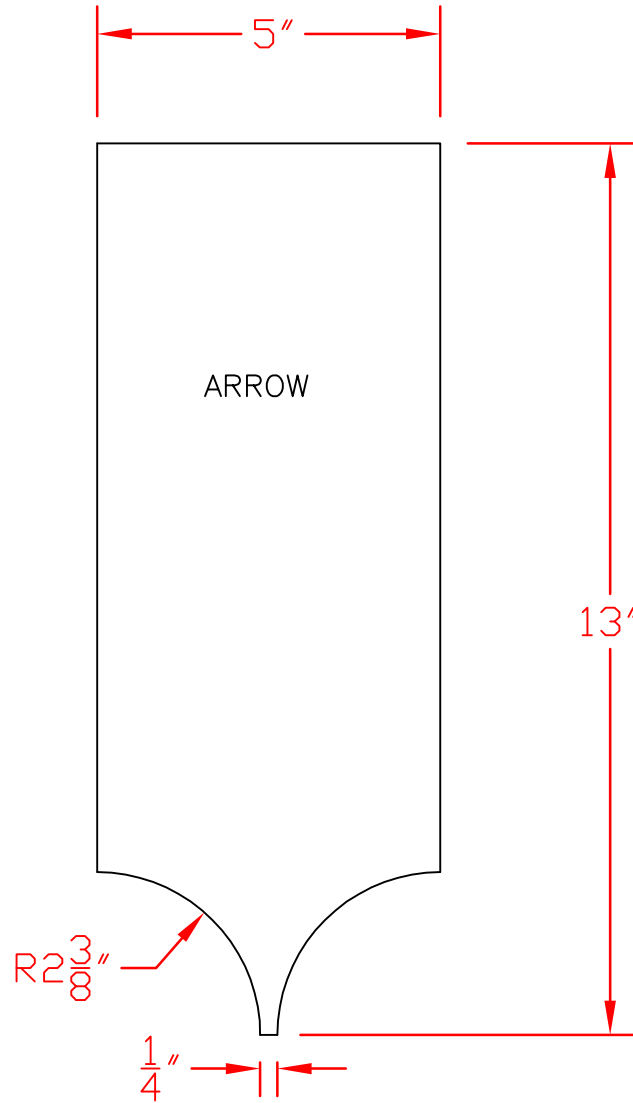
**FANCY CUT-DIAGONAL-RH**

NUCEDAR PRODUCT DRAWING

APPROVALS			DATE			
DRAWN	PHS	10/1/19	SIZE	MACHINE ID.	DRAWING NO.	REV.
ISSUED	PHS	10/1/19	A		FC-022r01	1
REVISED	PHS	4/24/20	SCALE:	FILE:	FC-022r01.dwg	SHEET 1 OF 1

# PRODUCT DRAWING

REV.	DATE	DESCRIPTION



THIS DOCUMENT CONTAINS PROPRIETARY INFORMATION WHICH SHALL NOT BE REPRODUCED, TRANSFERRED TO OTHER DOCUMENTS, DISCLOSED TO OTHERS, USED FOR MANUFACTURING OR ANY OTHER PURPOSE WITHOUT PRIOR WRITTEN PERMISSION BY JAIN AMERICA HOLDINGS

**JAIN BUILDING PRODUCTS**

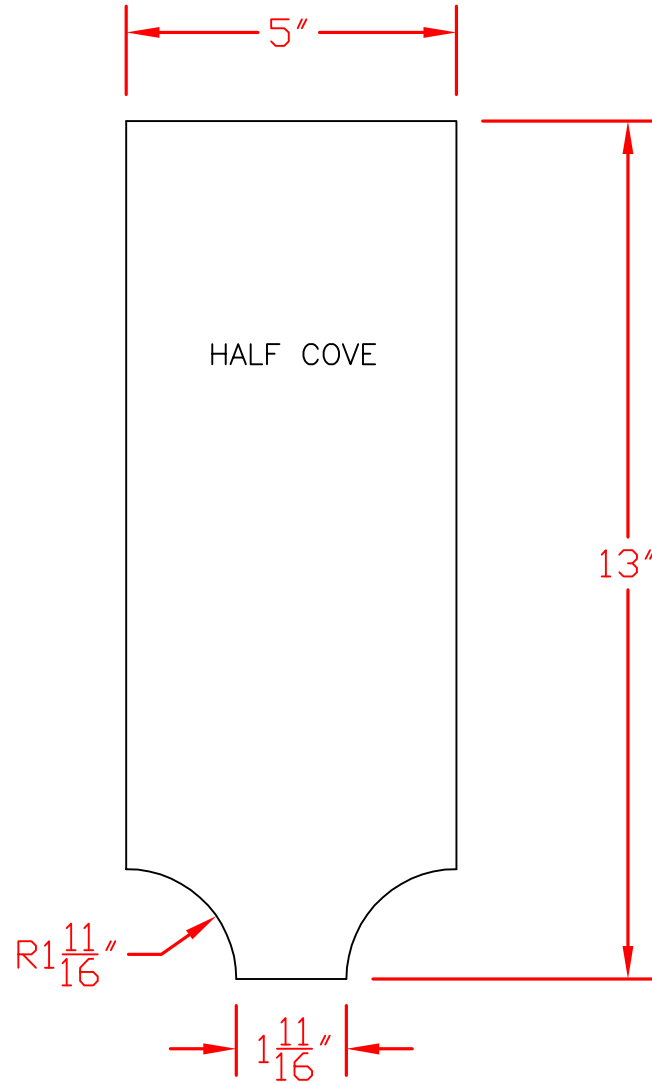
**FANCY CUT – ARROW**

NUCEDAR PRODUCT DRAWING

APPROVALS			DATE			
DRAWN	PHS	10/1/19	SIZE	MACHINE ID.	DRAWING NO.	REV.
ISSUED	PHS	10/1/19	A		FC-025r02	2
REVISED	PHS	4/24/20	SCALE:	FILE:	FC-025r02.dwg	SHEET 1 OF 1

# PRODUCT DRAWING

REV.	DATE	DESCRIPTION



THIS DOCUMENT CONTAINS PROPRIETARY INFORMATION WHICH SHALL NOT BE REPRODUCED, TRANSFERRED TO OTHER DOCUMENTS, DISCLOSED TO OTHERS, USED FOR MANUFACTURING OR ANY OTHER PURPOSE WITHOUT PRIOR WRITTEN PERMISSION BY JAIN AMERICA HOLDINGS

**JAIN BUILDING PRODUCTS**

**FANCY CUT—HALF COVE**

NUCEDAR PRODUCT DRAWING

APPROVALS			DATE		SIZE	MACHINE ID.	DRAWING NO.	REV.
DRAWN	PHS	10/1/19						
ISSUED	PHS	10/1/19						
REVISED	PHS	4/24/20						
SCALE:		FILE:		FC-028r02.dwg		SHEET 1 OF 1		