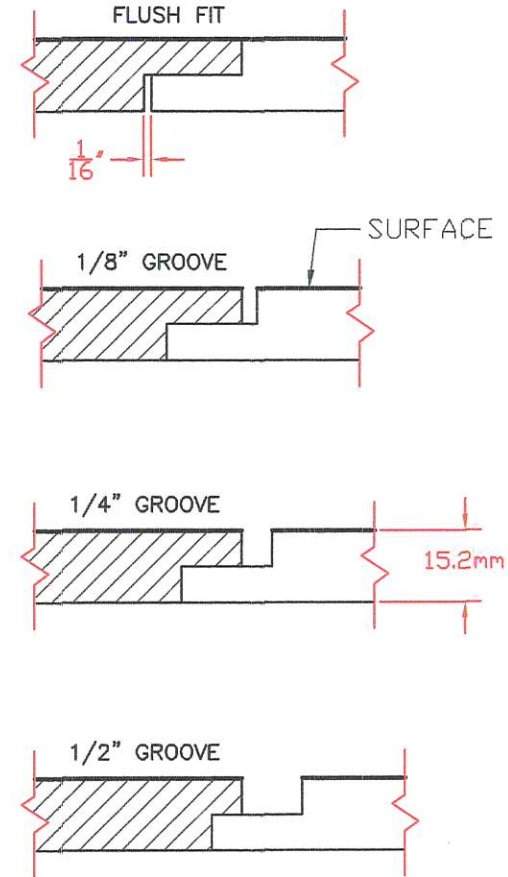
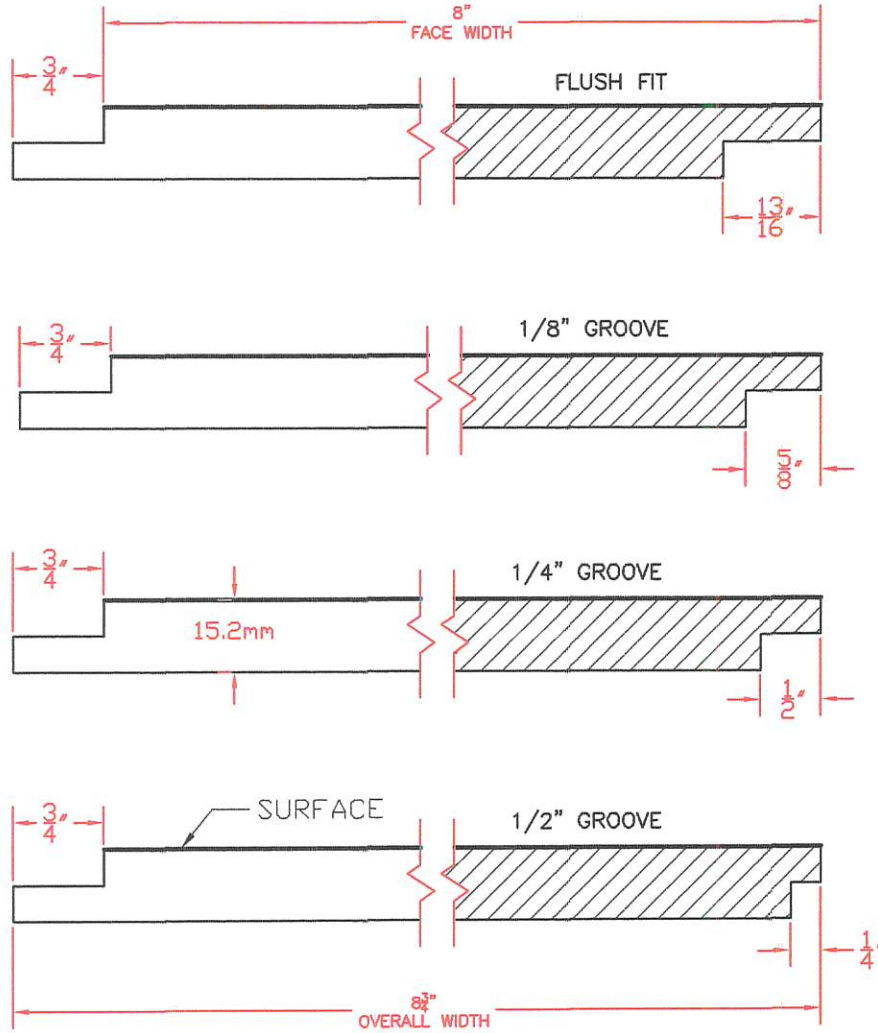


PRODUCT DRAWING

REV.	DATE	DESCRIPTION

FIT DETAIL



NOTE:
SURFACES AVAILABLE: SMOOTH, WOOD GRAIN or
ROUGH SAWN (BRUSHED)

THIS DOCUMENT CONTAINS
PROPRIETARY INFORMATION WHICH
SHALL NOT BE REPRODUCED,
TRANSFERRED TO OTHER DOCUMENTS,
DISCLOSED TO OTHERS, USED FOR
MANUFACTURING OR ANY OTHER
PURPOSE WITHOUT PRIOR WRITTEN
PERMISSION BY JAIN AMERICA HOLDINGS

JAIN BUILDING PRODUCTS

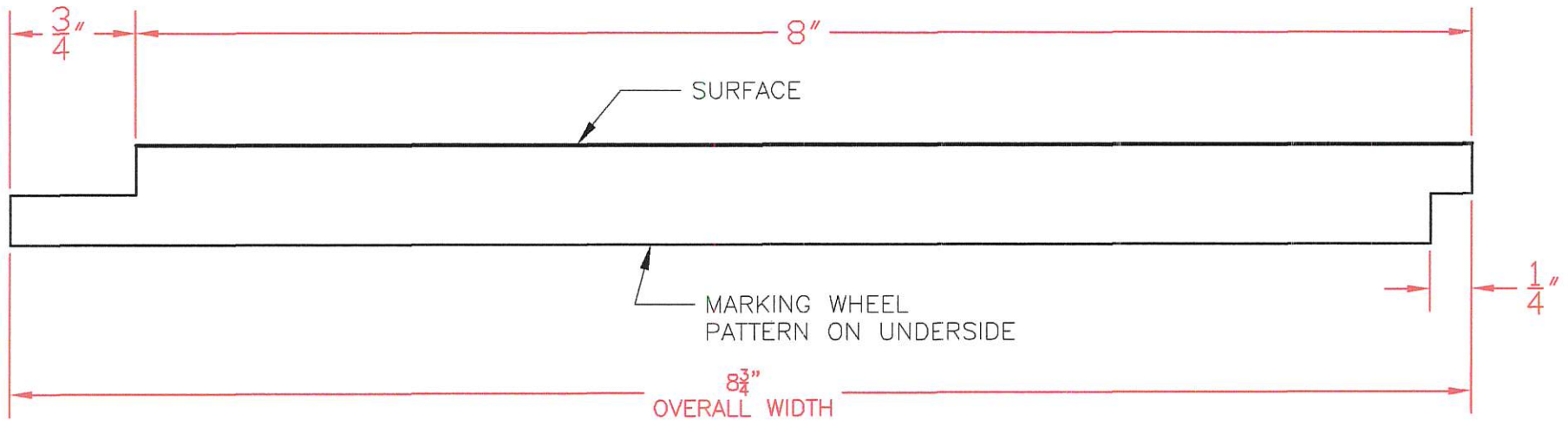
8" MODERN SHIPLAP

NUCEDAR PRODUCT DRAWING

APPROVALS			DATE			SIZE	MACHINE ID.	DRAWING NO.	REV.
DRAWN	PHS	4/4/19	ISSUED	PHS	5/1/19	A	WEINIG	SL-037r01	1
REVISED	PHS	1/1/20	SCALE:	NTS	FILE:	SL-037r01.dwg	SHEET 1 OF 1		

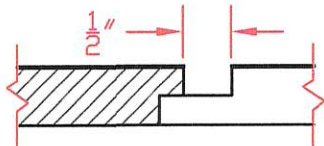
PRODUCT DRAWING

REV.	DATE	DESCRIPTION



8" MODERN SHIPLAP w/ 1/2" GROOVE

FIT DETAIL (1/2 SCALE)



NOTE:
SURFACES AVAILABLE: SMOOTH, WOOD GRAIN or
ROUGH SAWN (BRUSHED)

THIS DOCUMENT CONTAINS PROPRIETARY INFORMATION WHICH SHALL NOT BE REPRODUCED, TRANSFERRED TO OTHER DOCUMENTS, DISCLOSED TO OTHERS, USED FOR MANUFACTURING OR ANY OTHER PURPOSE WITHOUT PRIOR WRITTEN PERMISSION BY JAIN AMERICA HOLDINGS

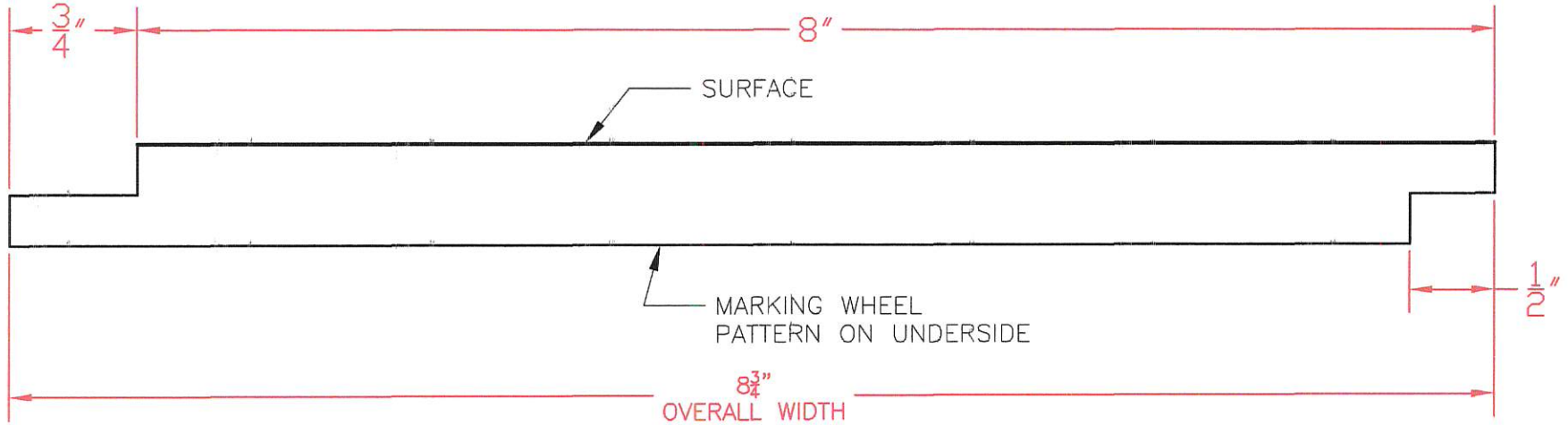
JAIN BUILDING PRODUCTS

8" MODERN SHIPLAP 1/2" GROOVE
NUCEDAR PRODUCT DRAWING

APPROVALS			DATE			
DRAWN	PHS	3/15/20	SIZE	MACHINE ID.	DRAWING NO.	REV.
ISSUED	PHS	3/15/20	A	WEINIG	SL-109r00	
REVISED			SCALE: NTS	FILE: SL-109r00.dwg	SHEET 1 OF 1	

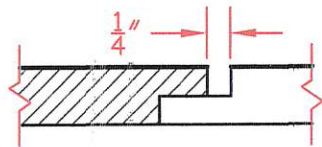
PRODUCT DRAWING

REV.	DATE	DESCRIPTION



8" MODERN SHIPLAP w/ 1/4" GROOVE

FIT DETAIL (1/2 SCALE)



NOTE:
SURFACES AVAILABLE: SMOOTH, WOOD GRAIN or
ROUGH SAWN (BRUSHED)

THIS DOCUMENT CONTAINS
PROPRIETARY INFORMATION WHICH
SHALL NOT BE REPRODUCED,
TRANSFERRED TO OTHER DOCUMENTS,
DISCLOSED TO OTHERS, USED FOR
MANUFACTURING OR ANY OTHER
PURPOSE WITHOUT PRIOR WRITTEN
PERMISSION BY JAIN AMERICA HOLDINGS

JAIN BUILDING PRODUCTS

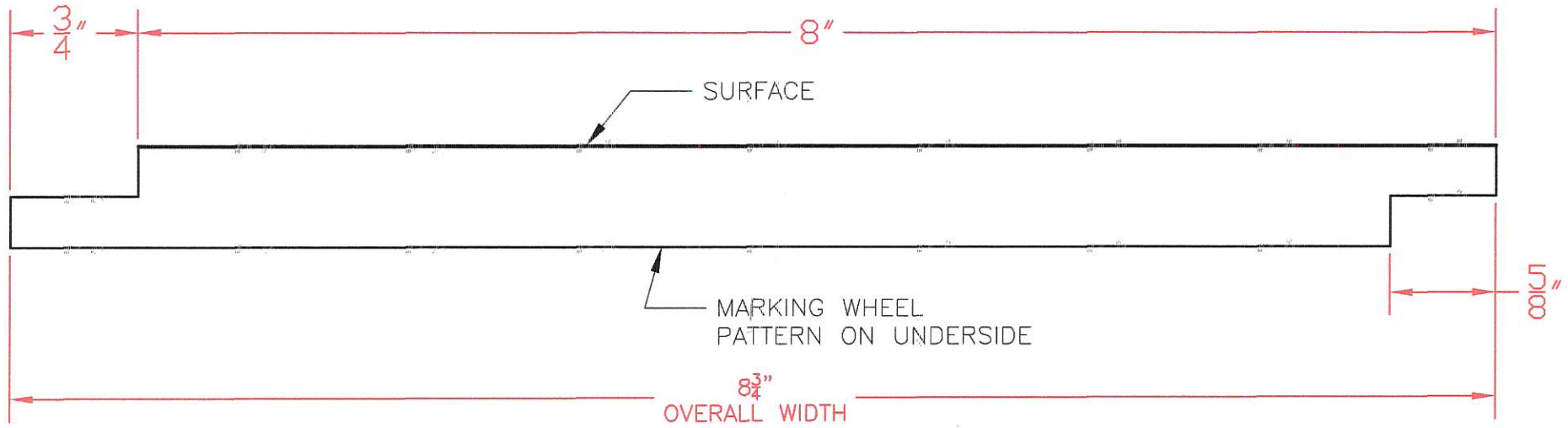
8" MODERN SHIPLAP 1/4" GROOVE
NUCEDAR PRODUCT DRAWING

APPROVALS		DATE	SIZE	MACHINE ID.	DRAWING NO.	REV.
DRAWN	PHS	3/15/20	A	WEINIG	SL-110r00	
ISSUED	PHS	3/15/20				
REVISED						

SCALE: NTS | FILE: SL-110r00.dwg | SHEET 1 OF 1

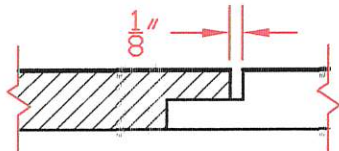
PRODUCT DRAWING

REV.	DATE	DESCRIPTION



8" MODERN SHIPLAP w/ 1/8" GROOVE

FIT DETAIL (1/2 SCALE)



NOTE:
SURFACES AVAILABLE: SMOOTH, WOOD GRAIN or
ROUGH SAWN (BRUSHED)

THIS DOCUMENT CONTAINS
PROPRIETARY INFORMATION WHICH
SHALL NOT BE REPRODUCED,
TRANSFERRED TO OTHER DOCUMENTS,
DISCLOSED TO OTHERS, USED FOR
MANUFACTURING OR ANY OTHER
PURPOSE WITHOUT PRIOR WRITTEN
PERMISSION BY JAIN AMERICA HOLDINGS

JAIN BUILDING PRODUCTS

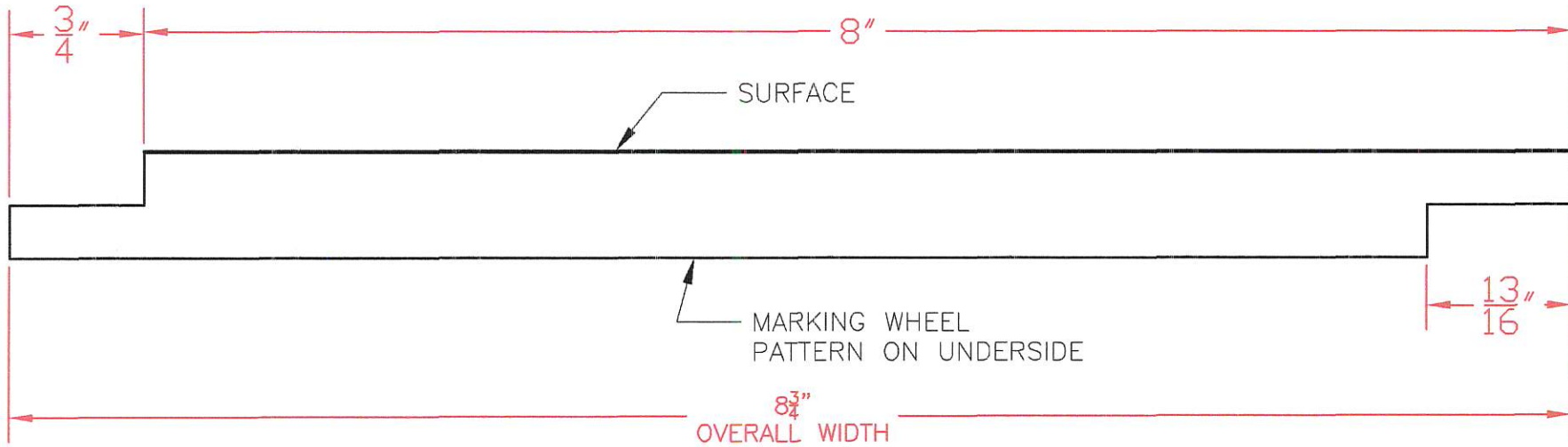
8" MODERN SHIPLAP 1/8" GROOVE
NUCEDAR PRODUCT DRAWING

APPROVALS		DATE		SIZE	MACHINE ID.	DRAWING NO.	REV.
DRAWN	PHS	3/15/20		A	WEINIG	SL-111r00	
ISSUED	PHS	3/15/20					
REVISED							

SCALE: NTS FILE: SL-111r00.dwg SHEET 1 OF 1

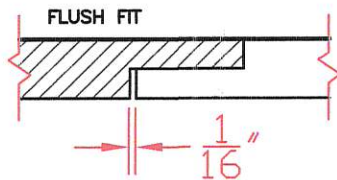
PRODUCT DRAWING

REV.	DATE	DESCRIPTION



8" MODERN SHIPLAP w/ FLUSH FIT

FIT DETAIL (1/2 SCALE)



NOTE:
SURFACES AVAILABLE: SMOOTH, WOOD GRAIN or
ROUGH SAWN (BRUSHED)

THIS DOCUMENT CONTAINS
PROPRIETARY INFORMATION WHICH
SHALL NOT BE REPRODUCED,
TRANSFERRED TO OTHER DOCUMENTS,
DISCLOSED TO OTHERS, USED FOR
MANUFACTURING OR ANY OTHER
PURPOSE WITHOUT PRIOR WRITTEN
PERMISSION BY JAIN AMERICA HOLDINGS

JAIN BUILDING PRODUCTS

8" MODERN SHIPLAP - FLUSH FIT
NUCEDAR PRODUCT DRAWING

APPROVALS		DATE	SIZE	MACHINE ID.	DRAWING NO.	REV.
DRAWN	PHS	3/15/20	A	WEINIG	SL-112r00	
ISSUED	PHS	3/15/20				
REVISED						