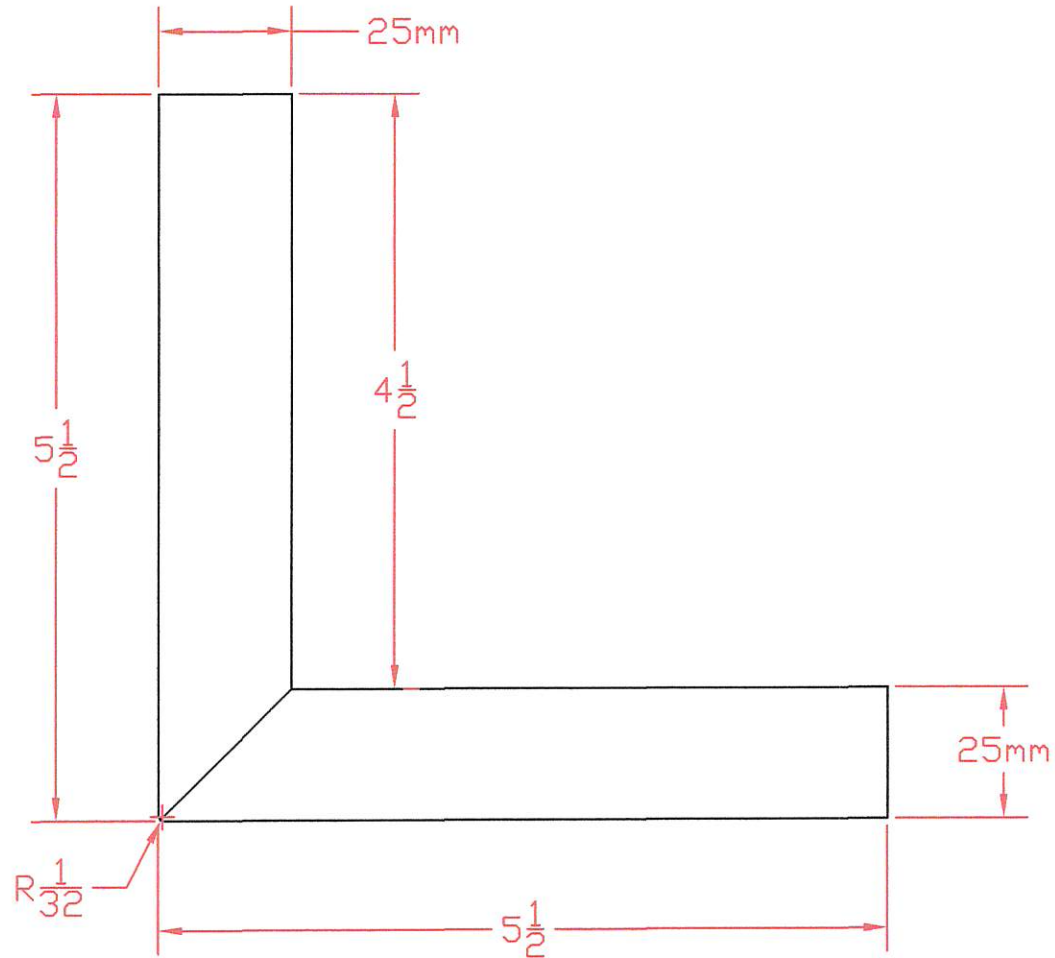


PRODUCT DRAWING

REV.	DATE	DESCRIPTION



6" STANDARD CORNER

NOTE:
SURFACES AVAILABLE: SMOOTH, WOOD GRAIN or
ROUGH SAWN (BRUSHED)

THIS DOCUMENT CONTAINS
PROPRIETARY INFORMATION WHICH
SHALL NOT BE REPRODUCED,
TRANSFERRED TO OTHER DOCUMENTS,
DISCLOSED TO OTHERS, USED FOR
MANUFACTURING OR ANY OTHER
PURPOSE WITHOUT PRIOR WRITTEN
PERMISSION BY JAIN AMERICA HOLDINGS

APPROVALS		DATE
DRAWN	PHS	12//29/19
ISSUED	PHS	12/29/19
REVISED		

JAIN BUILDING PRODUCTS

6" STANDARD CORNER

NUCEDAR PRODUCT DRAWING

SIZE	MACHINE ID.	DRAWING NO.	REV.
A		SC-005r00	

SCALE: FULL FILE: SC-005r00.dwg SHEET 1 OF 1