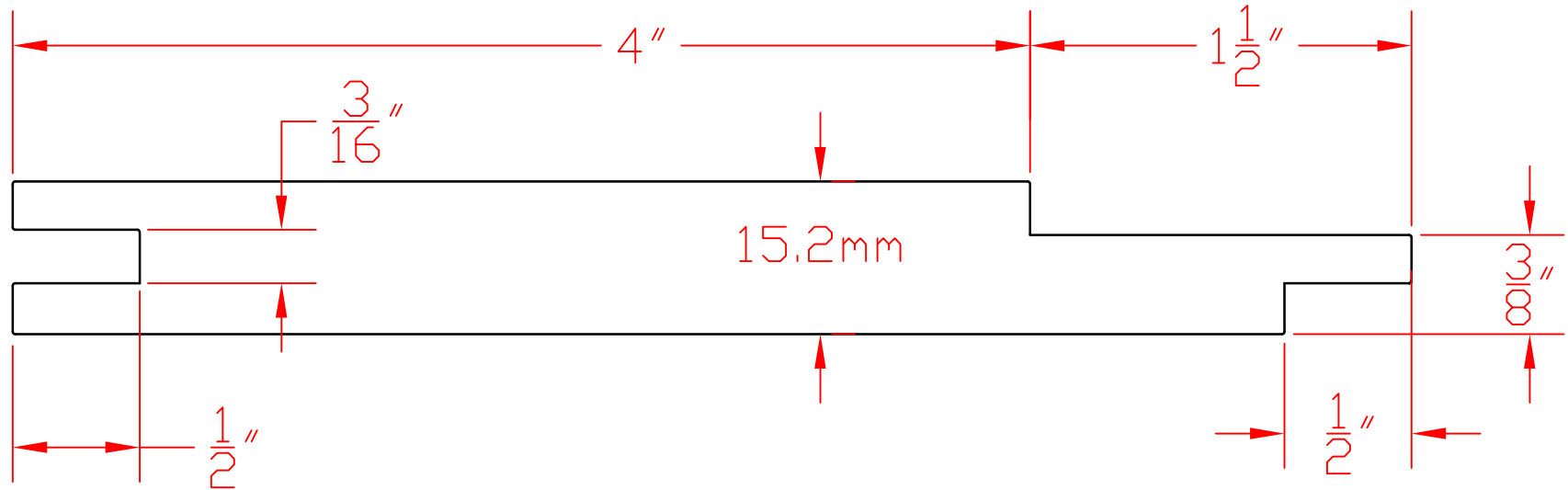


PRODUCT DRAWING

REV.	DATE	DESCRIPTION



6" CHANNEL RUSTIC – 1" CHANNEL

NOTE:

SURFACES AVAILABLE: SMOOTH, WOOD GRAIN or
ROUGH SAWN (BRUSHED)

ACTUAL DIMENSIONS

- LAND = 4"
- INSTALLED CHANNEL = 1"
- OAW = 5 $\frac{1}{2}$ "

THIS DOCUMENT CONTAINS
PROPRIETARY INFORMATION WHICH
SHALL NOT BE REPRODUCED,
TRANSFERRED TO OTHER DOCUMENTS,
DISCLOSED TO OTHERS, USED FOR
MANUFACTURING OR ANY OTHER
PURPOSE WITHOUT PRIOR WRITTEN
PERMISSION BY JAIN AMERICA HOLDINGS

JAIN BUILDING PRODUCTS

6" CHANNEL RUSTIC

NUCEDAR PRODUCT DRAWING

APPROVALS			DATE			
DRAWN	PHS	3/12/19	SIZE	MACHINE ID.	DRAWING NO.	REV.
ISSUED	PHS	5/1/19	A		CR-001r00	
REVISED			SCALE: FULL	FILE: CF-001r00.dwg	SHEET 1 OF 1	