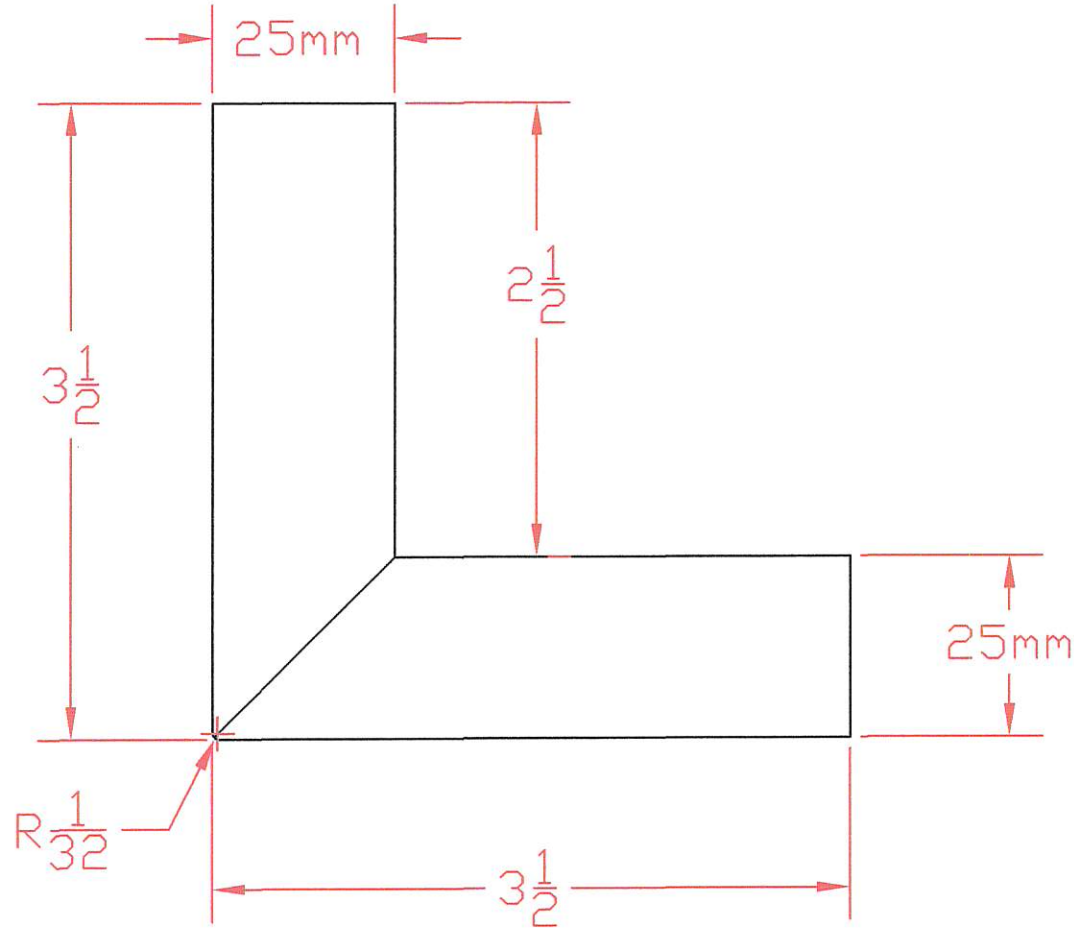


PRODUCT DRAWING

| REV. | DATE | DESCRIPTION |
|------|------|-------------|
| | | |
| | | |
| | | |



4" STANDARD CORNER

NOTE:
SURFACES AVAILABLE: SMOOTH, WOOD GRAIN or
ROUGH SAWN (BRUSHED)

THIS DOCUMENT CONTAINS
PROPRIETARY INFORMATION WHICH
SHALL NOT BE REPRODUCED,
TRANSFERRED TO OTHER DOCUMENTS,
DISCLOSED TO OTHERS, USED FOR
MANUFACTURING OR ANY OTHER
PURPOSE WITHOUT PRIOR WRITTEN
PERMISSION BY JAIN AMERICA HOLDINGS

JAIN BUILDING PRODUCTS

4" STANDARD CORNER

NUCEDAR PRODUCT DRAWING

| APPROVALS | | | DATE | | | |
|-----------|-----|----------|-------------|---------------------|--------------|------|
| DRAWN | PHS | 11/18/19 | SIZE | MACHINE ID. | DRAWING NO. | REV. |
| ISSUED | PHS | 11/18/19 | A | | SC-001r00 | |
| REVISED | | | SCALE: FULL | FILE: SC-001r00.dwg | SHEET 1 OF 1 | |