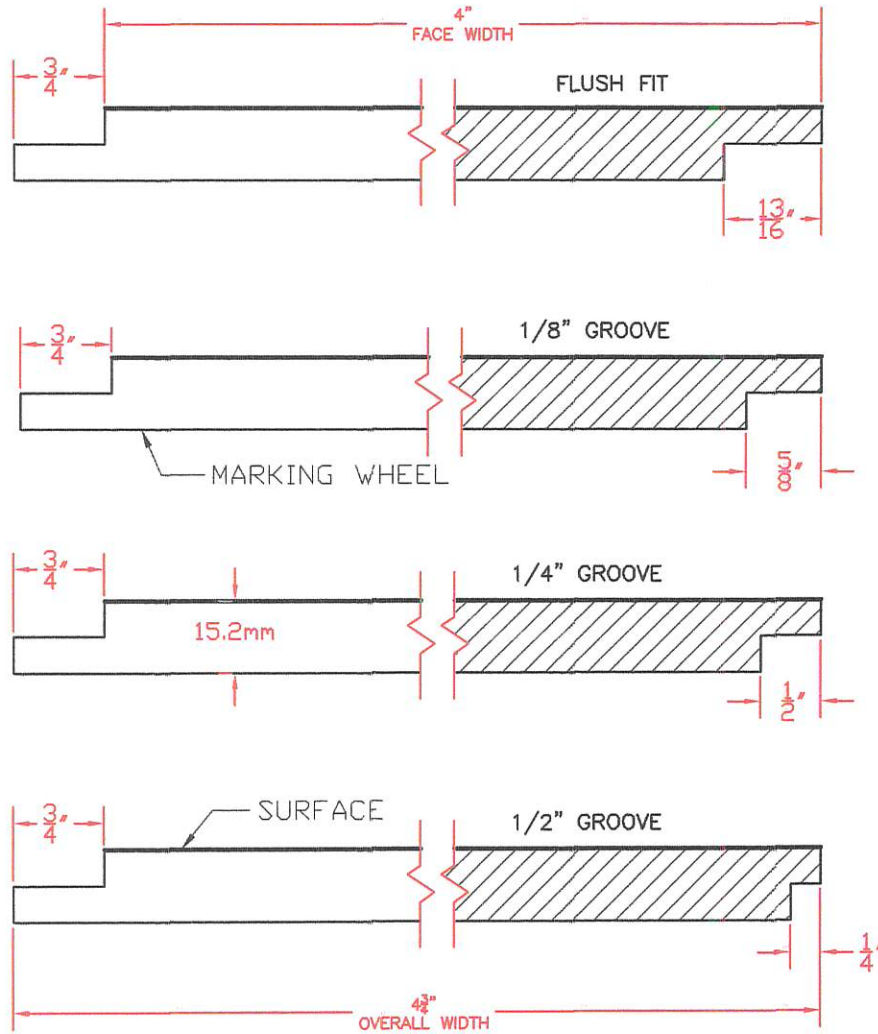
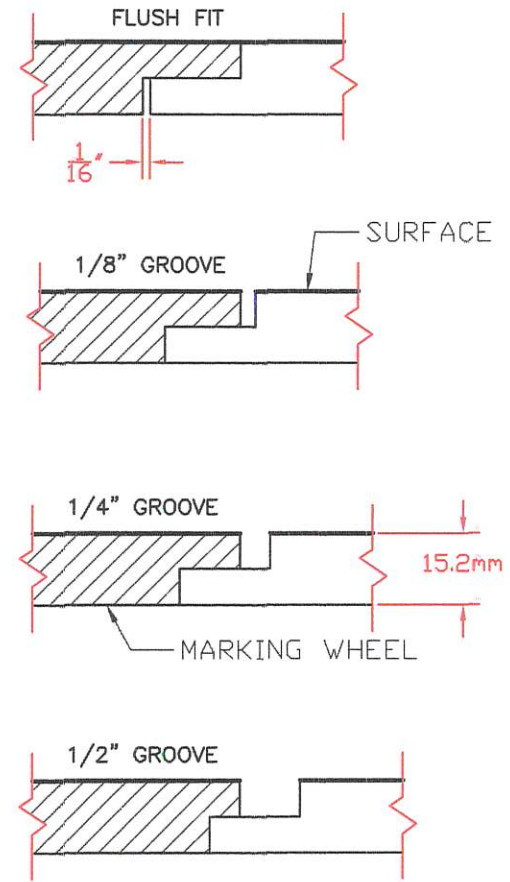


PRODUCT DRAWING

REV.	DATE	DESCRIPTION



FIT DETAIL



NOTE:
SURFACES AVAILABLE: SMOOTH, WOOD GRAIN or
ROUGH SAWN (BRUSHED)

THIS DOCUMENT CONTAINS
PROPRIETARY INFORMATION WHICH
SHALL NOT BE REPRODUCED,
TRANSFERRED TO OTHER DOCUMENTS,
DISCLOSED TO OTHERS, USED FOR
MANUFACTURING OR ANY OTHER
PURPOSE WITHOUT PRIOR WRITTEN
PERMISSION BY JAIN AMERICA HOLDINGS

JAIN BUILDING PRODUCTS

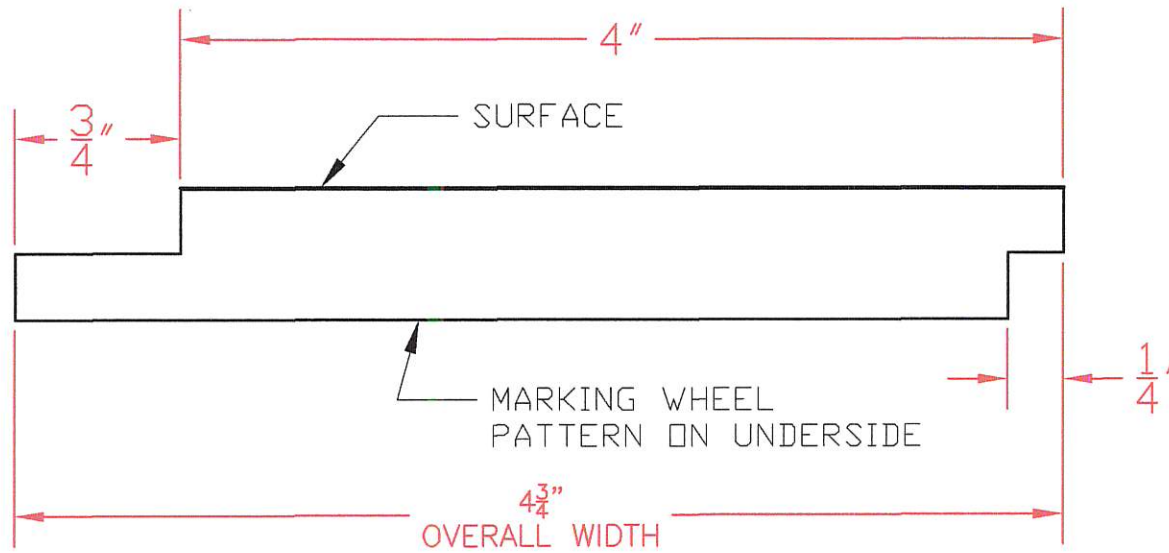
4" MODERN SHIPLAP
NUCEDAR PRODUCT DRAWING

APPROVALS		DATE	SIZE	MACHINE ID.	DRAWING NO.	REV.
DRAWN	PHS	3/12/19	A	WEINIG	SL-011r02	2
ISSUED	PHS	3/22/19				
REVISED	PHS	1/1/20				

SCALE: NTS | FILE: SL-011r02.dwg | SHEET 1 OF 1

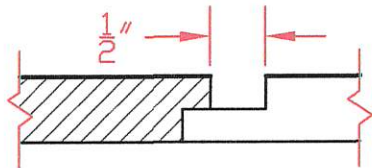
PRODUCT DRAWING

REV.	DATE	DESCRIPTION



4" MODERN SHIPLAP w/ 1/2" GROOVE

FIT DETAIL (1/2 SCALE)



NOTE:
SURFACES AVAILABLE: SMOOTH, WOOD GRAIN or
ROUGH SAWN (BRUSHED)

THIS DOCUMENT CONTAINS
PROPRIETARY INFORMATION WHICH
SHALL NOT BE REPRODUCED,
TRANSFERRED TO OTHER DOCUMENTS,
DISCLOSED TO OTHERS, USED FOR
MANUFACTURING OR ANY OTHER
PURPOSE WITHOUT PRIOR WRITTEN
PERMISSION BY JAIN AMERICA HOLDINGS

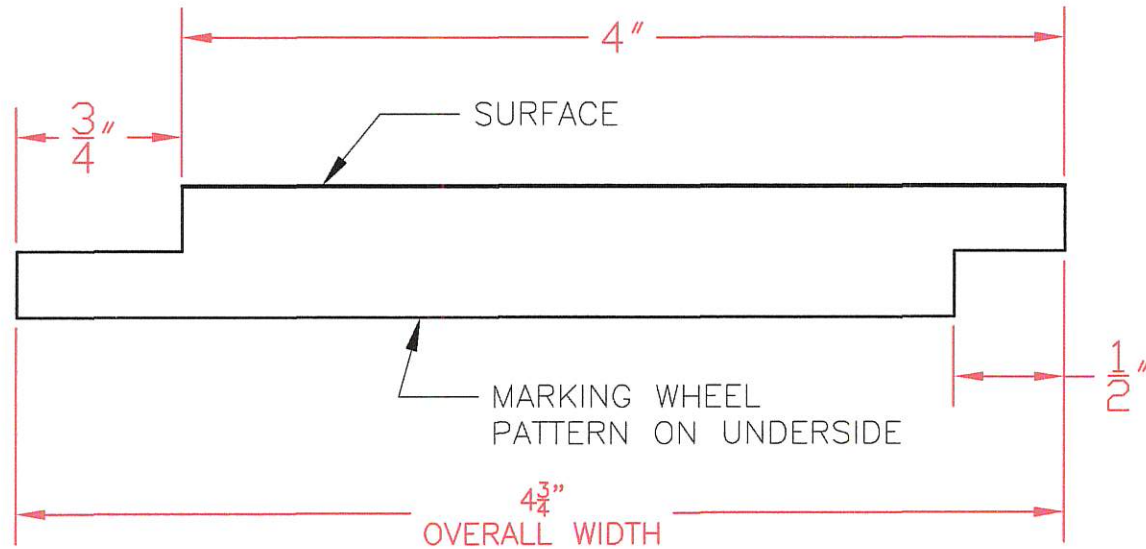
JAIN BUILDING PRODUCTS

4" MODERN SHIPLAP 1/2" GROOVE
NUCEDAR PRODUCT DRAWING

APPROVALS			DATE			SIZE	MACHINE ID.	DRAWING NO.	REV.
DRAWN	PHS	3/15/20	A	WEINIG	SL-101r00				
ISSUED	PHS	3/15/20							
REVISED									

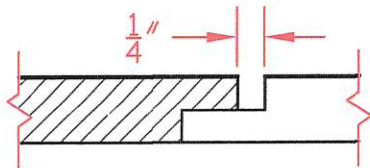
PRODUCT DRAWING

REV.	DATE	DESCRIPTION



4" MODERN SHIPLAP w/ 1/4" GROOVE

FIT DETAIL (1/2 SCALE)



NOTE:
SURFACES AVAILABLE: SMOOTH, WOOD GRAIN or
ROUGH SAWN (BRUSHED)

THIS DOCUMENT CONTAINS
PROPRIETARY INFORMATION WHICH
SHALL NOT BE REPRODUCED,
TRANSFERRED TO OTHER DOCUMENTS,
DISCLOSED TO OTHERS, USED FOR
MANUFACTURING OR ANY OTHER
PURPOSE WITHOUT PRIOR WRITTEN
PERMISSION BY JAIN AMERICA HOLDINGS

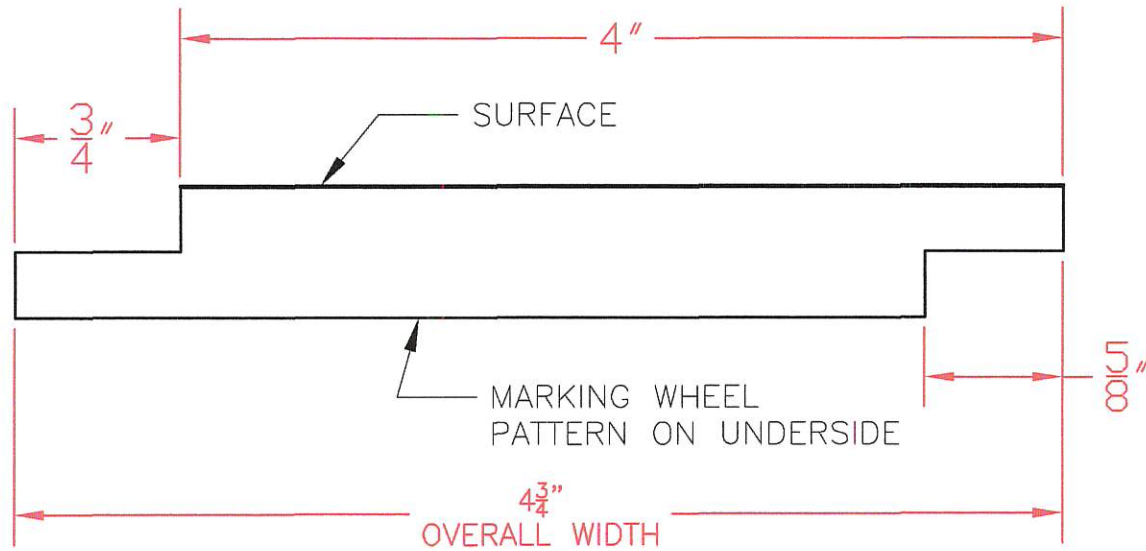
JAIN BUILDING PRODUCTS

4" MODERN SHIPLAP 1/4" GROOVE
NUCEDAR PRODUCT DRAWING

APPROVALS		DATE	SIZE	MACHINE ID.	DRAWING NO.	REV.
DRAWN	PHS	3/15/20	A	WEINIG	SL-102r00	
ISSUED	PHS	3/15/20				
REVISED						

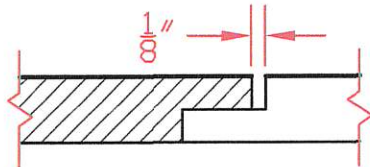
PRODUCT DRAWING

REV.	DATE	DESCRIPTION



4" MODERN SHIPLAP w/ 1/8" GROOVE

FIT DETAIL (1/2 SCALE)



NOTE:
SURFACES AVAILABLE: SMOOTH, WOOD GRAIN or
ROUGH SAWN (BRUSHED)

THIS DOCUMENT CONTAINS
PROPRIETARY INFORMATION WHICH
SHALL NOT BE REPRODUCED,
TRANSFERRED TO OTHER DOCUMENTS,
DISCLOSED TO OTHERS, USED FOR
MANUFACTURING OR ANY OTHER
PURPOSE WITHOUT PRIOR WRITTEN
PERMISSION BY JAIN AMERICA HOLDINGS

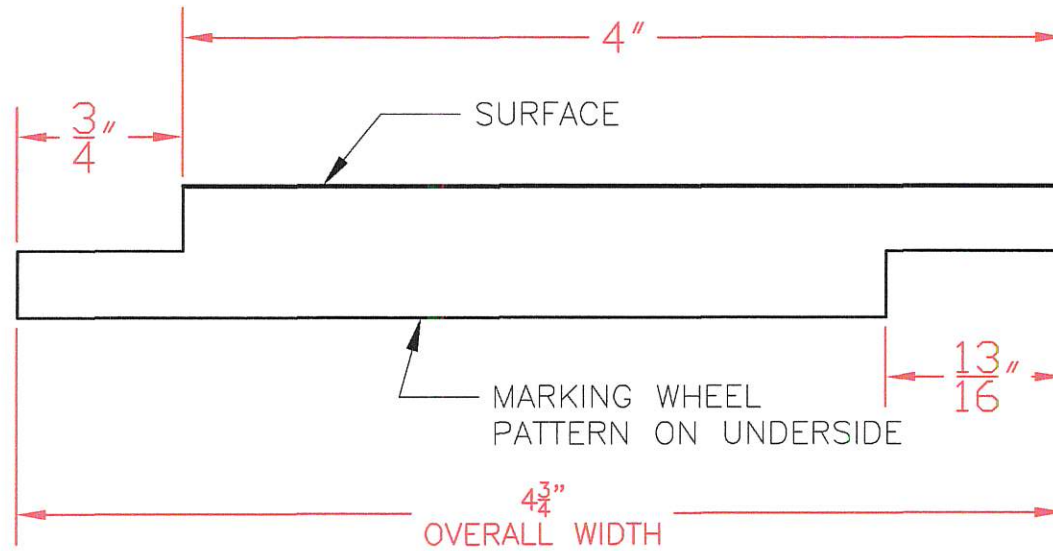
JAIN BUILDING PRODUCTS

4" MODERN SHIPLAP 1/8" GROOVE
NUCEDAR PRODUCT DRAWING

APPROVALS		DATE	SIZE	MACHINE ID.	DRAWING NO.	REV.
DRAWN	PHS	3/15/20	A	WEINIG	SL-103r00	
ISSUED	PHS	3/15/20				
REVISED						

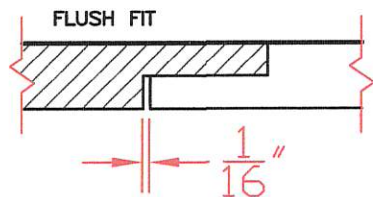
PRODUCT DRAWING

REV.	DATE	DESCRIPTION



4" MODERN SHIPLAP w/ FLUSH FIT

FIT DETAIL (1/2 SCALE)



NOTE:
SURFACES AVAILABLE: SMOOTH, WOOD GRAIN or
ROUGH SAWN (BRUSHED)

THIS DOCUMENT CONTAINS
PROPRIETARY INFORMATION WHICH
SHALL NOT BE REPRODUCED,
TRANSFERRED TO OTHER DOCUMENTS,
DISCLOSED TO OTHERS, USED FOR
MANUFACTURING OR ANY OTHER
PURPOSE WITHOUT PRIOR WRITTEN
PERMISSION BY JAIN AMERICA HOLDINGS

JAIN BUILDING PRODUCTS

4" MODERN SHIPLAP - FLUSH FIT
NUCEDAR PRODUCT DRAWING

APPROVALS			DATE			
DRAWN	PHS	3/15/20	SIZE	MACHINE ID.	DRAWING NO.	REV.
ISSUED	PHS	3/15/20	A	WEINIG	SL-104r00	
REVISED			SCALE: NTS	FILE: SL-104r00.dwg	SHEET 1 OF 1	