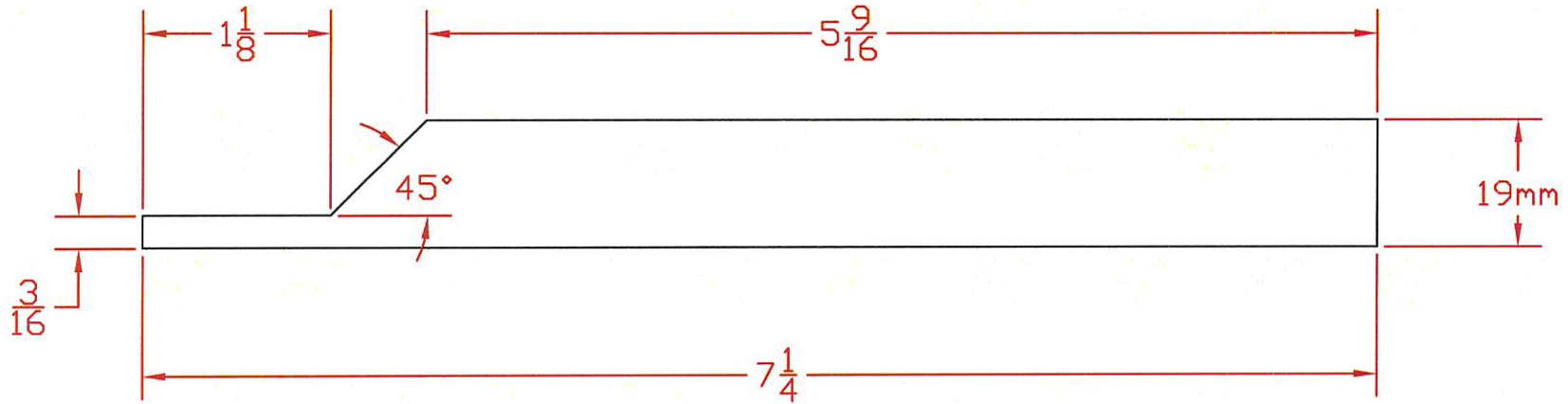


PRODUCT DRAWING

REV.	DATE	DESCRIPTION



8" GRADE PLANK/19mm

NOTE:
SURFACES AVAILABLE: SMOOTH, WOOD GRAIN or
ROUGH SAWN (BRUSHED)

THIS DOCUMENT CONTAINS
PROPRIETARY INFORMATION WHICH
SHALL NOT BE REPRODUCED,
TRANSFERRED TO OTHER DOCUMENTS,
DISCLOSED TO OTHERS, USED FOR
MANUFACTURING OR ANY OTHER
PURPOSE WITHOUT PRIOR WRITTEN
PERMISSION BY JAIN AMERICA HOLDINGS

APPROVALS		DATE
DRAWN	PHS	9/10/19
ISSUED	PHS	9/10/20
REVISED	PHS	1/6/20

JAIN BUILDING PRODUCTS

8" GRADE PLANK/19mm

NUCEDAR PRODUCT DRAWING

SIZE	MACHINE ID.	DRAWING NO.	REV.
A	WEINIG	GP-005r01	1

SCALE: FULL FILE: GP-005r01.dwg SHEET 1 OF 1