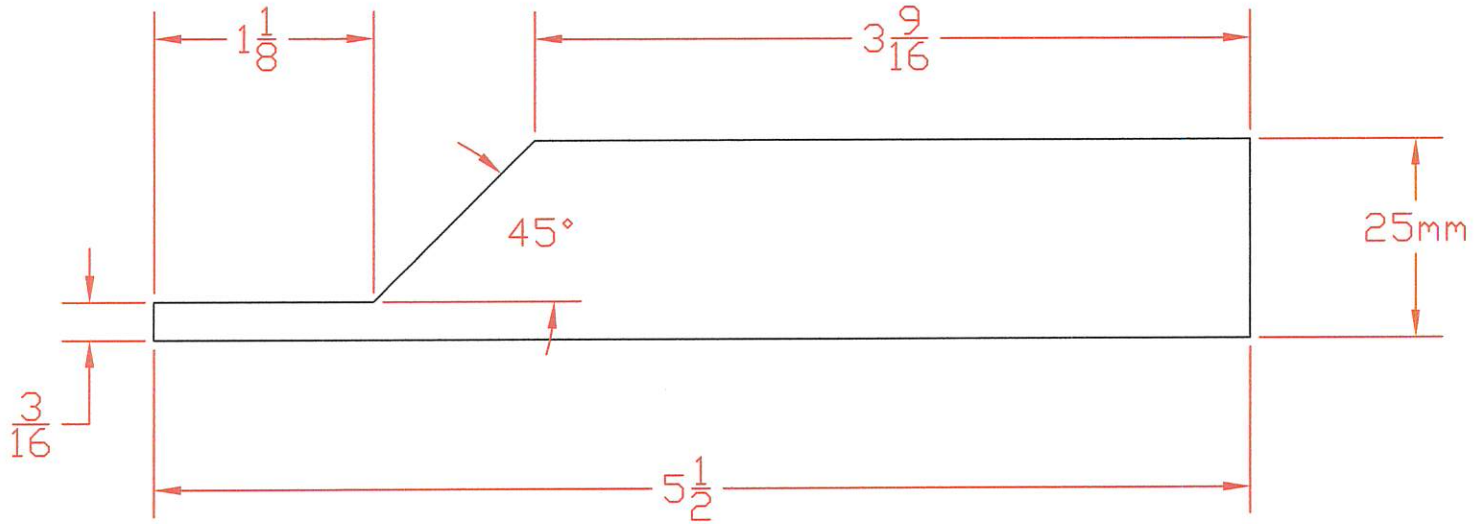


PRODUCT DRAWING

REV.	DATE	DESCRIPTION



6" GRADE PLANK/25mm

NOTE:
SURFACES AVAILABLE: SMOOTH, WOOD GRAIN or
ROUGH SAWN (BRUSHED)

THIS DOCUMENT CONTAINS
PROPRIETARY INFORMATION WHICH
SHALL NOT BE REPRODUCED,
TRANSFERRED TO OTHER DOCUMENTS,
DISCLOSED TO OTHERS, USED FOR
MANUFACTURING OR ANY OTHER
PURPOSE WITHOUT PRIOR WRITTEN
PERMISSION BY JAIN AMERICA HOLDINGS

JAIN BUILDING PRODUCTS

6" GRADE PLANK/25mm
NUCEDAR PRODUCT DRAWING

APPROVALS			DATE			
DRAWN	PHS	12/27/19	SIZE	MACHINE ID.	DRAWING NO.	REV.
ISSUED	PHS	12/27/19	A	WEINIG	GP-017r01	1
REVISED	PHS	1/6/20	SCALE: FULL	FILE: GP-017r01.dwg	SHEET 1	OF 1