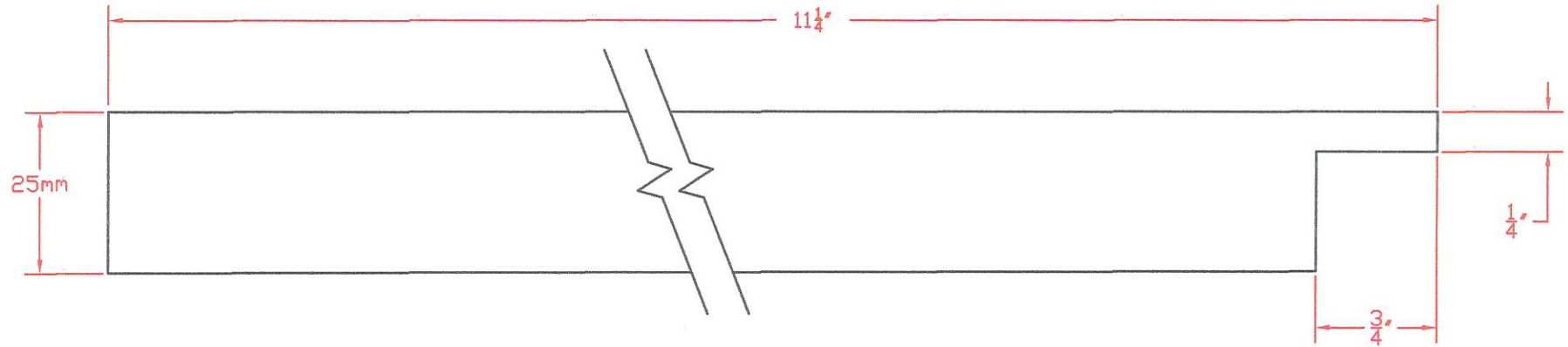


PRODUCT DRAWING

REV.	DATE	DESCRIPTION



12" J-POCKET TRIM

NOTE:

- SURFACES AVAILABLE: SMOOTH, WOOD GRAIN or ROUGH SAWN (BRUSHED)

THIS DOCUMENT CONTAINS PROPRIETARY INFORMATION WHICH SHALL NOT BE REPRODUCED, TRANSFERRED TO OTHER DOCUMENTS, DISCLOSED TO OTHERS, USED FOR MANUFACTURING OR ANY OTHER PURPOSE WITHOUT PRIOR WRITTEN PERMISSION BY JAIN AMERICA HOLDINGS

JAIN BUILDING PRODUCTS

12" J-POCKET TRIM
NUCEDAR PRODUCT DRAWING

APPROVALS			DATE			
DRAWN	PHS	3/13/19	SIZE	MACHINE ID.	DRAWING NO.	REV.
ISSUED	PHS	5/1/19	A	WEINIG	JT-021r01	1
REVISED	PHS	12/17/19	SCALE: FULL	FILE: JT-021r01.dwg	SHEET 1 OF 1	