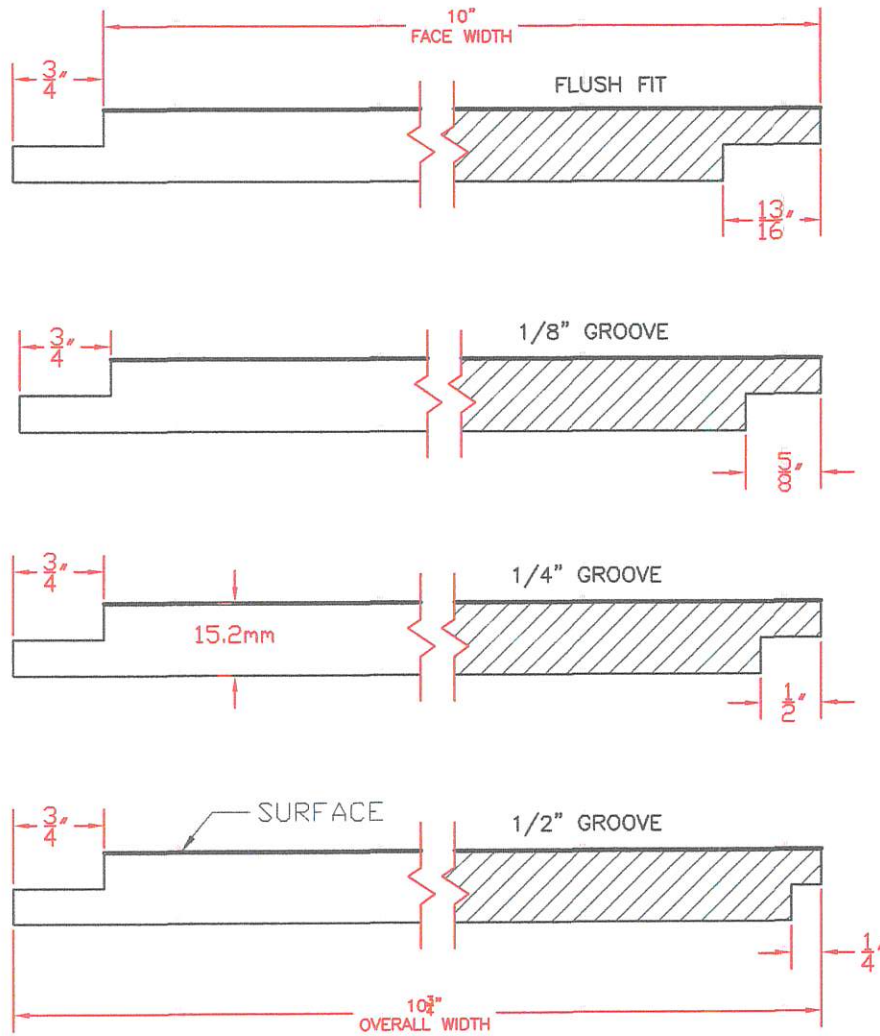
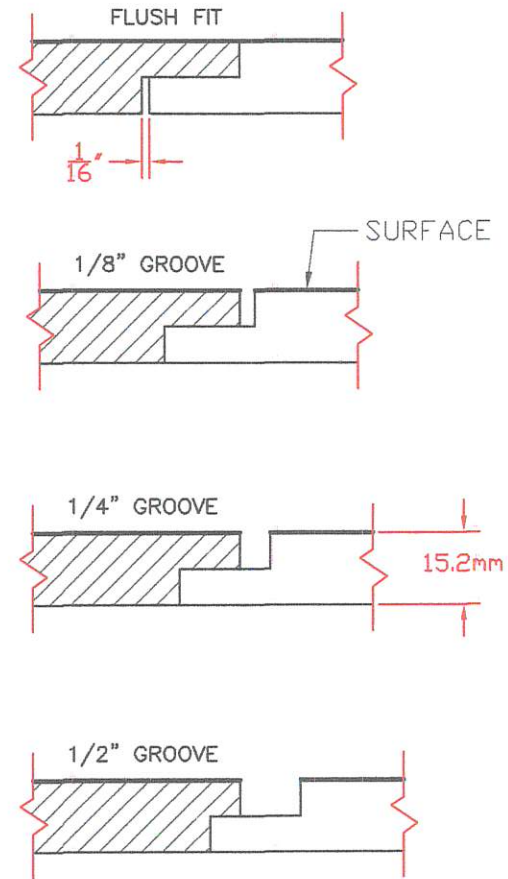


PRODUCT DRAWING

REV.	DATE	DESCRIPTION



FIT DETAIL



NOTE:
SURFACES AVAILABLE: SMOOTH, WOOD GRAIN or
ROUGH SAWN (BRUSHED)

THIS DOCUMENT CONTAINS
PROPRIETARY INFORMATION WHICH
SHALL NOT BE REPRODUCED,
TRANSFERRED TO OTHER DOCUMENTS,
DISCLOSED TO OTHERS, USED FOR
MANUFACTURING OR ANY OTHER
PURPOSE WITHOUT PRIOR WRITTEN
PERMISSION BY JAIN AMERICA HOLDINGS

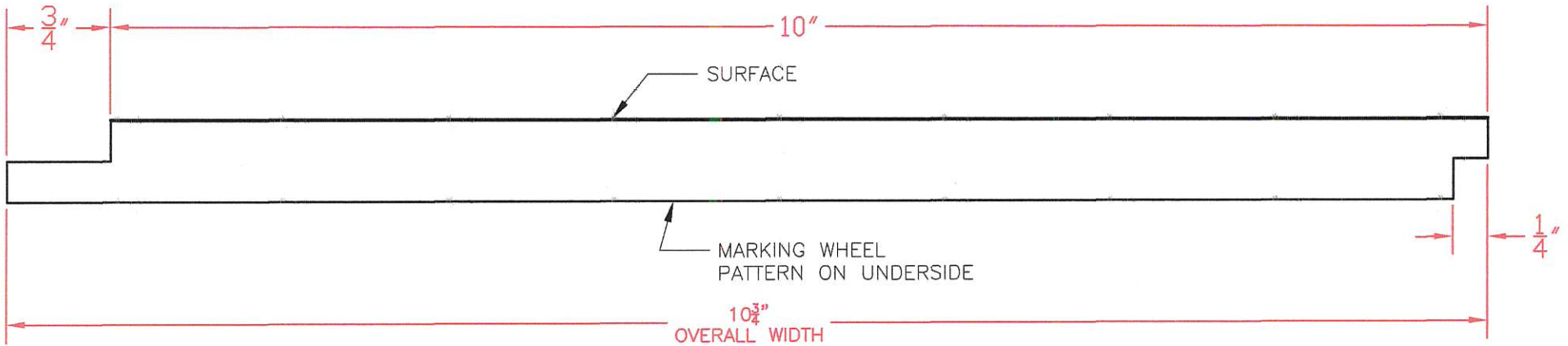
JAIN BUILDING PRODUCTS

10" MODERN SHIPLAP
NUCEDAR PRODUCT DRAWING

APPROVALS			DATE			SIZE	MACHINE ID.	DRAWING NO.	REV.
DRAWN	PHS		4/4/19	A	WEINIG	SL-050r01	1		
ISSUED	PHS		5/1/19						
REVISED	PHS		1/1/20	SCALE: NTS	FILE: SL-050r01.dwg			SHEET 1 OF 1	

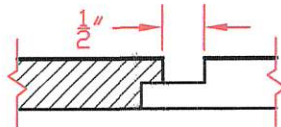
PRODUCT DRAWING

REV.	DATE	DESCRIPTION



10" MODERN SHIPLAP w/ 1/2" GROOVE

FIT DETAIL (1/2 SCALE)



NOTE:
SURFACES AVAILABLE: SMOOTH, WOOD GRAIN or
ROUGH SAWN (BRUSHED)

THIS DOCUMENT CONTAINS PROPRIETARY INFORMATION WHICH SHALL NOT BE REPRODUCED, TRANSFERRED TO OTHER DOCUMENTS, DISCLOSED TO OTHERS, USED FOR MANUFACTURING OR ANY OTHER PURPOSE WITHOUT PRIOR WRITTEN PERMISSION BY JAIN AMERICA HOLDINGS

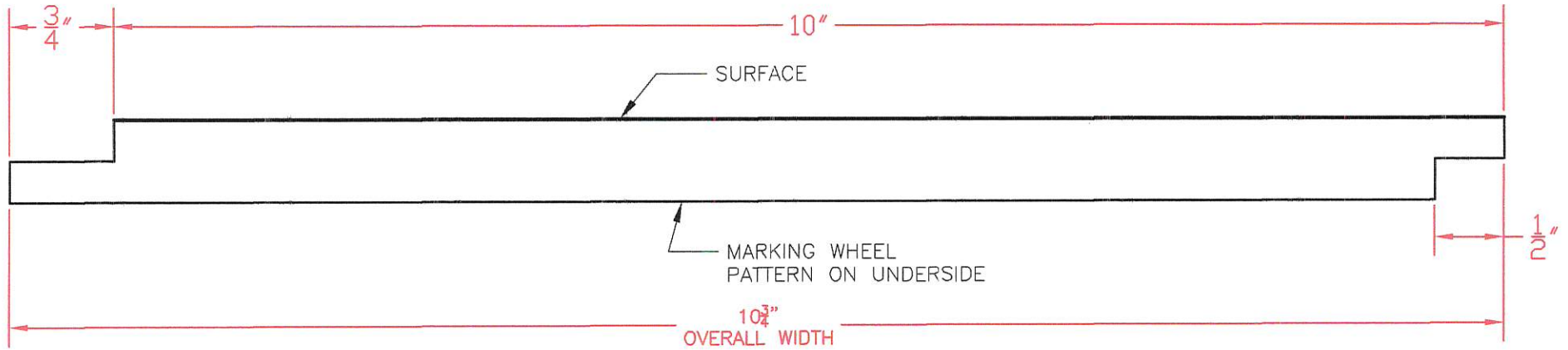
JAIN BUILDING PRODUCTS

10" MODERN SHIPLAP 1/2" GROOVE
NUCEDAR PRODUCT DRAWING

APPROVALS			DATE			
DRAWN	PHS	3/15/20	SIZE	MACHINE ID.	DRAWING NO.	REV.
ISSUED	PHS	3/15/20	A	WEINIG	SL-113r00	
REVISED			SCALE: NTS	FILE: SL-113r00.dwg	SHEET 1 OF 1	

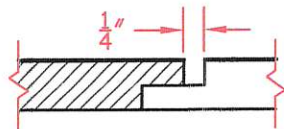
PRODUCT DRAWING

REV.	DATE	DESCRIPTION



10" MODERN SHIPLAP w/ 1/4" GROOVE

FIT DETAIL (1/2 SCALE)



NOTE:
 SURFACES AVAILABLE: SMOOTH, WOOD GRAIN or
 ROUGH SAWN (BRUSHED)

THIS DOCUMENT CONTAINS PROPRIETARY INFORMATION WHICH SHALL NOT BE REPRODUCED, TRANSFERRED TO OTHER DOCUMENTS, DISCLOSED TO OTHERS, USED FOR MANUFACTURING OR ANY OTHER PURPOSE WITHOUT PRIOR WRITTEN PERMISSION BY JAIN AMERICA HOLDINGS

JAIN BUILDING PRODUCTS

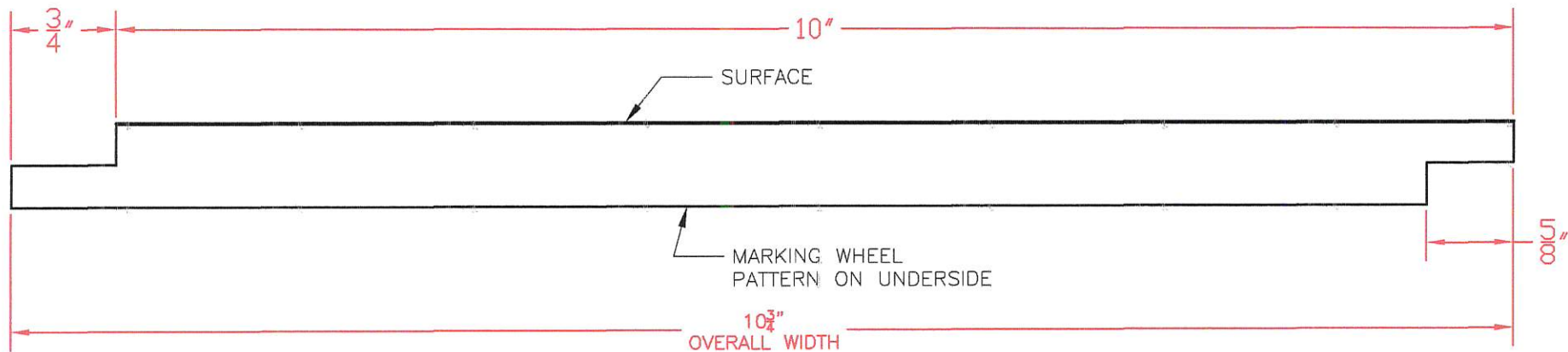
10" MODERN SHIPLAP 1/4" GROOVE

NUCEDAR PRODUCT DRAWING

APPROVALS			DATE			
DRAWN	PHS	3/15/20	SIZE	MACHINE ID.	DRAWING NO.	REV.
ISSUED	PHS	3/15/20	A	WEINIG	SL-114r00	
REVISED			SCALE: NTS	FILE: SL-114r00.dwg	SHEET 1 OF 1	

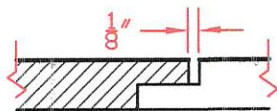
PRODUCT DRAWING

REV.	DATE	DESCRIPTION



10" MODERN SHIPLAP w/ 1/8" GROOVE

FIT DETAIL (1/2 SCALE)



NOTE:
SURFACES AVAILABLE: SMOOTH, WOOD GRAIN or
ROUGH SAWN (BRUSHED)

THIS DOCUMENT CONTAINS
PROPRIETARY INFORMATION WHICH
SHALL NOT BE REPRODUCED,
TRANSFERRED TO OTHER DOCUMENTS,
DISCLOSED TO OTHERS, USED FOR
MANUFACTURING OR ANY OTHER
PURPOSE WITHOUT PRIOR WRITTEN
PERMISSION BY JAIN AMERICA HOLDINGS

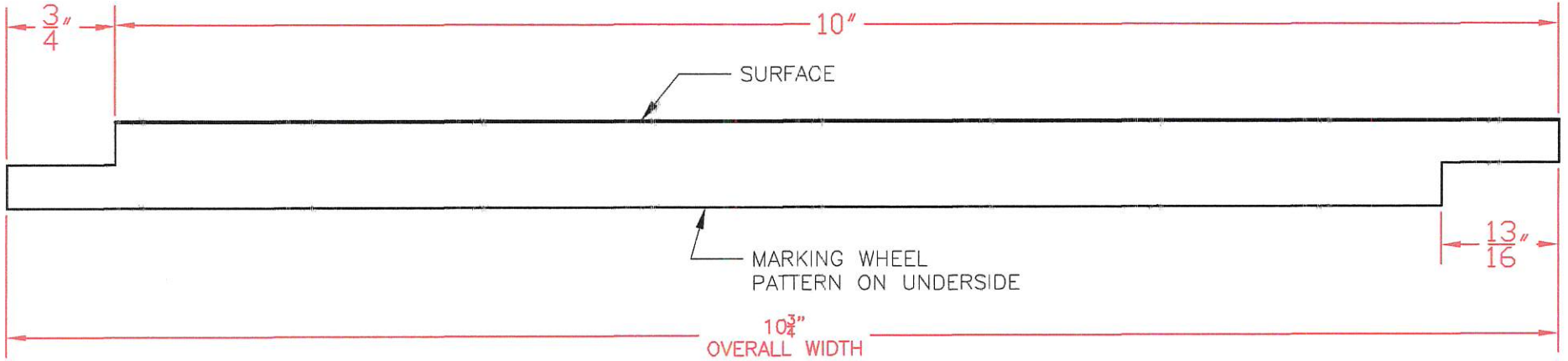
JAIN BUILDING PRODUCTS

10" MODERN SHIPLAP 1/8" GROOVE
NUCEDAR PRODUCT DRAWING

APPROVALS		DATE	SIZE	MACHINE ID.	DRAWING NO.	REV.
DRAWN	PHS	3/15/20	A	WEINIG	SL-115r00	
ISSUED	PHS	3/15/20				
REVISED						

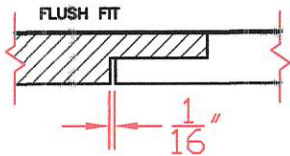
PRODUCT DRAWING

REV.	DATE	DESCRIPTION



10" MODERN SHIPLAP w/ FLUSH FIT

FIT DETAIL (1/2 SCALE)



NOTE:
SURFACES AVAILABLE: SMOOTH, WOOD GRAIN or
ROUGH SAWN (BRUSHED)

THIS DOCUMENT CONTAINS PROPRIETARY INFORMATION WHICH SHALL NOT BE REPRODUCED, TRANSFERRED TO OTHER DOCUMENTS, DISCLOSED TO OTHERS, USED FOR MANUFACTURING OR ANY OTHER PURPOSE WITHOUT PRIOR WRITTEN PERMISSION BY JAIN AMERICA HOLDINGS

APPROVALS		DATE
DRAWN	PHS	3/15/20
ISSUED	PHS	3/15/20
REVISED		

JAIN BUILDING PRODUCTS			
10" MODERN SHIPLAP - FLUSH FIT			
NUCEDAR PRODUCT DRAWING			
SIZE	MACHINE ID.	DRAWING NO.	REV.
A	WEINIG	SL-116r00	
SCALE: NTS		FILE: SL-116r00.dwg	SHEET 1 OF 1