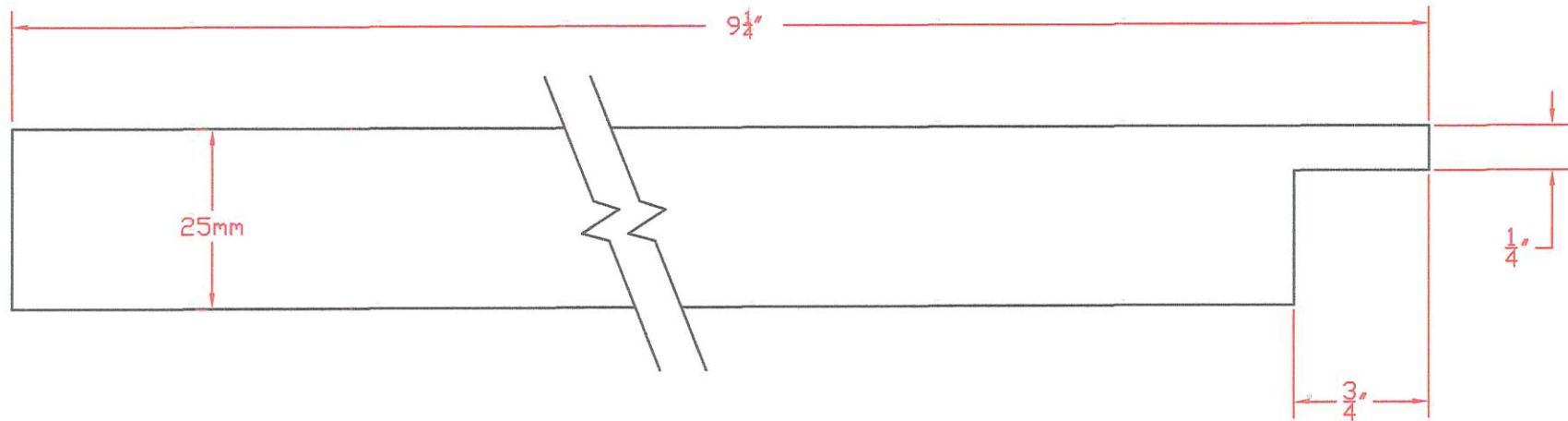


PRODUCT DRAWING

REV.	DATE	DESCRIPTION



10" J-POCKET TRIM

NOTE:

- SURFACES AVAILABLE: SMOOTH, WOOD GRAIN or ROUGH SAWN (BRUSHED)

THIS DOCUMENT CONTAINS PROPRIETARY INFORMATION WHICH SHALL NOT BE REPRODUCED, TRANSFERRED TO OTHER DOCUMENTS, DISCLOSED TO OTHERS, USED FOR MANUFACTURING OR ANY OTHER PURPOSE WITHOUT PRIOR WRITTEN PERMISSION BY JAIN AMERICA HOLDINGS

JAIN BUILDING PRODUCTS

10" J-POCKET TRIM
NUCEDAR PRODUCT DRAWING

APPROVALS			DATE			SIZE	MACHINE ID.	DRAWING NO.	REV.
DRAWN	PHS	3/13/19				A	WEINIG	JT-017r01	1
ISSUED	PHS	5/1/19							
REVISED	PHS	12/17/19							