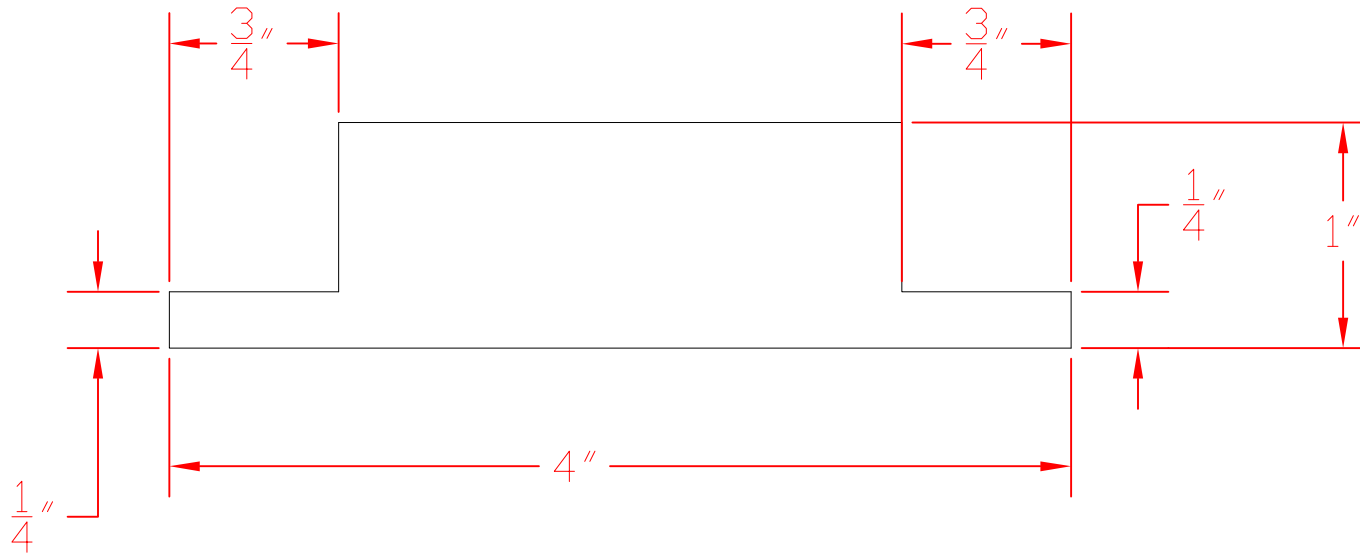


REV.	DATE	DESCRIPTION



4" DOUBLE J-POCKET



JAIN BUILDING PRODUCTS

4" DOUBLE J-POCKET  
NuCedar PRODUCT DRAWING

THIS DOCUMENT CONTAINS PROPRIETARY INFORMATION WHICH SHALL NOT BE REPRODUCED, TRANSFERRED TO OTHER DOCUMENTS, DISCLOSED TO OTHERS, USED FOR MANUFACTURING OR ANY OTHER PURPOSE WITHOUT PRIOR WRITTEN PERMISSION BY JAIN AMERICA HOLDINGS

APPROVALS		DATE
DRAWN	PHS	3/28/17
ISSUED	PHS	3/28/17
REVISED		

SIZE	MACHINE ID.	DRAWING NO.	REV.
A			

SCALE: None FILE: SHEET 1 OF 1