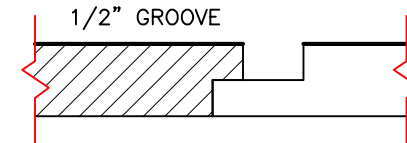
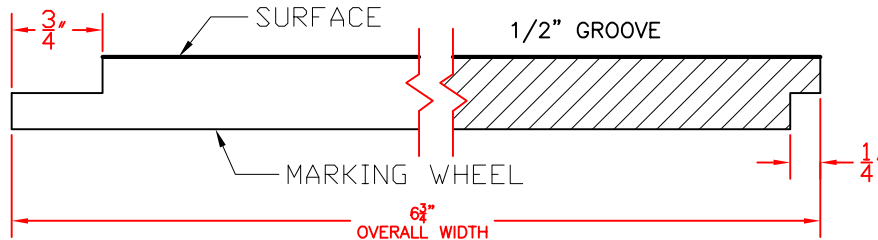
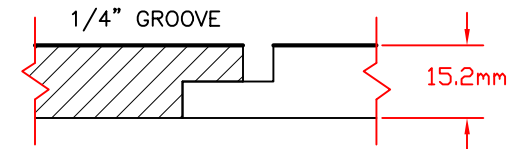
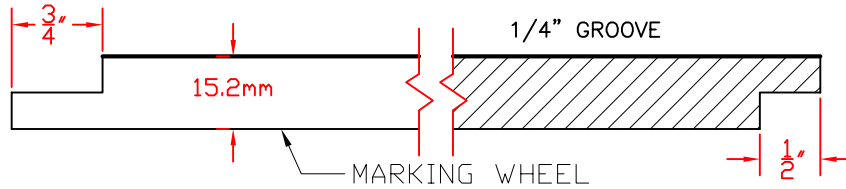
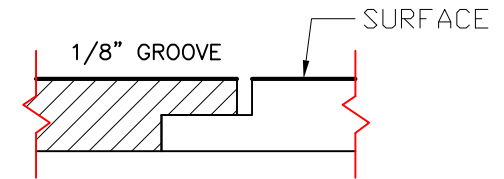
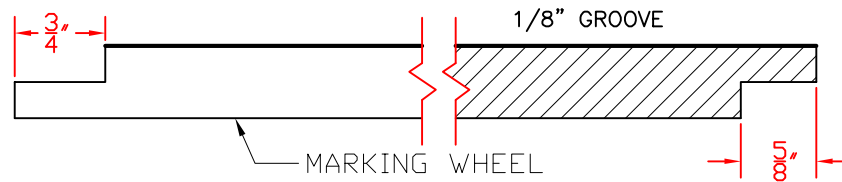


PRODUCT DRAWING

REV.	DATE	DESCRIPTION

FIT DETAIL



NOTE:
SURFACES AVAILABLE: SMOOTH, WOOD GRAIN or
ROUGH SAWN (BRUSHED)

THIS DOCUMENT CONTAINS
PROPRIETARY INFORMATION WHICH
SHALL NOT BE REPRODUCED,
TRANSFERRED TO OTHER DOCUMENTS,
DISCLOSED TO OTHERS, USED FOR
MANUFACTURING OR ANY OTHER
PURPOSE WITHOUT PRIOR WRITTEN
PERMISSION BY JAIN AMERICA HOLDINGS

JAIN BUILDING PRODUCTS

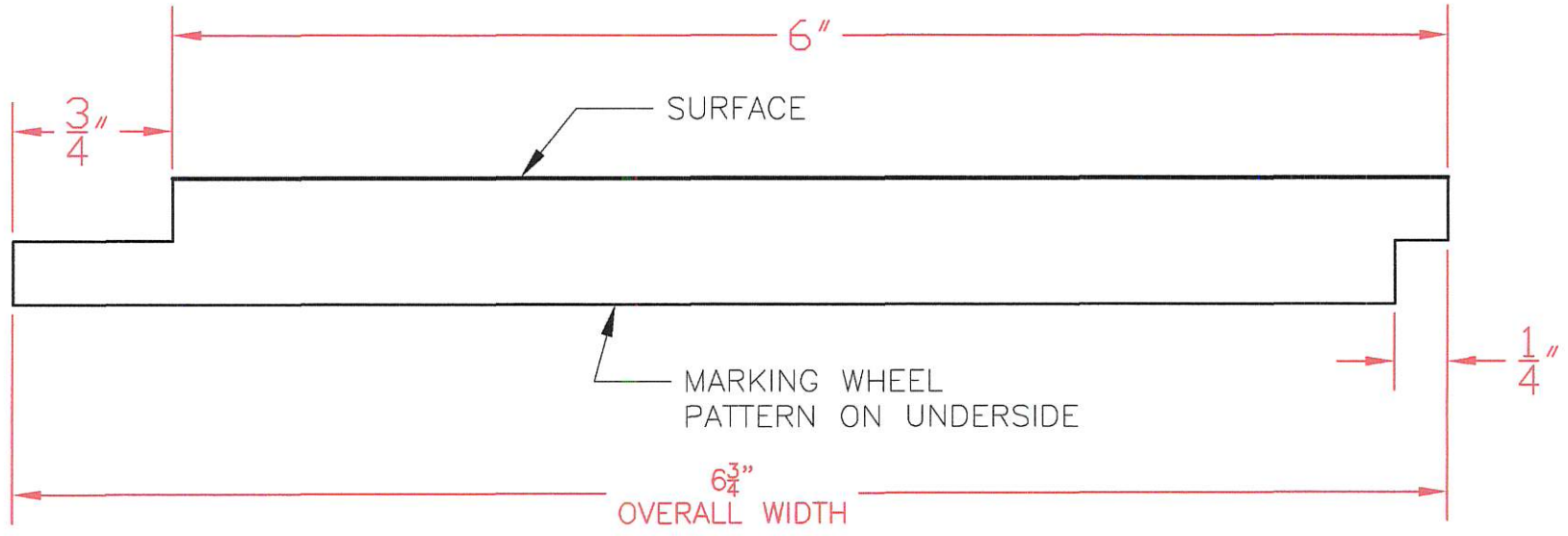
6" MODERN SHIPLAP

NUCEDAR PRODUCT DRAWING

APPROVALS			DATE			
DRAWN	PHS	4/4/19	SIZE	MACHINE ID.	DRAWING NO.	REV.
ISSUED	PHS	5/1/19	A	WEINIG	SL-024r02	2
REVISED	PHS	10/9/23	SCALE: NTS	FILE: SL-024r02.dwg	SHEET 1 OF 1	

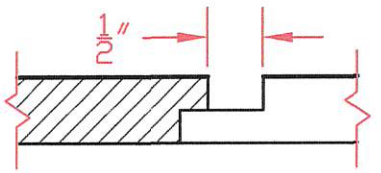
PRODUCT DRAWING

REV.	DATE	DESCRIPTION



6" MODERN SHIPLAP w/ 1/2" GROOVE

FIT DETAIL (1/2 SCALE)



NOTE:
SURFACES AVAILABLE: SMOOTH, WOOD GRAIN or
ROUGH SAWN (BRUSHED)

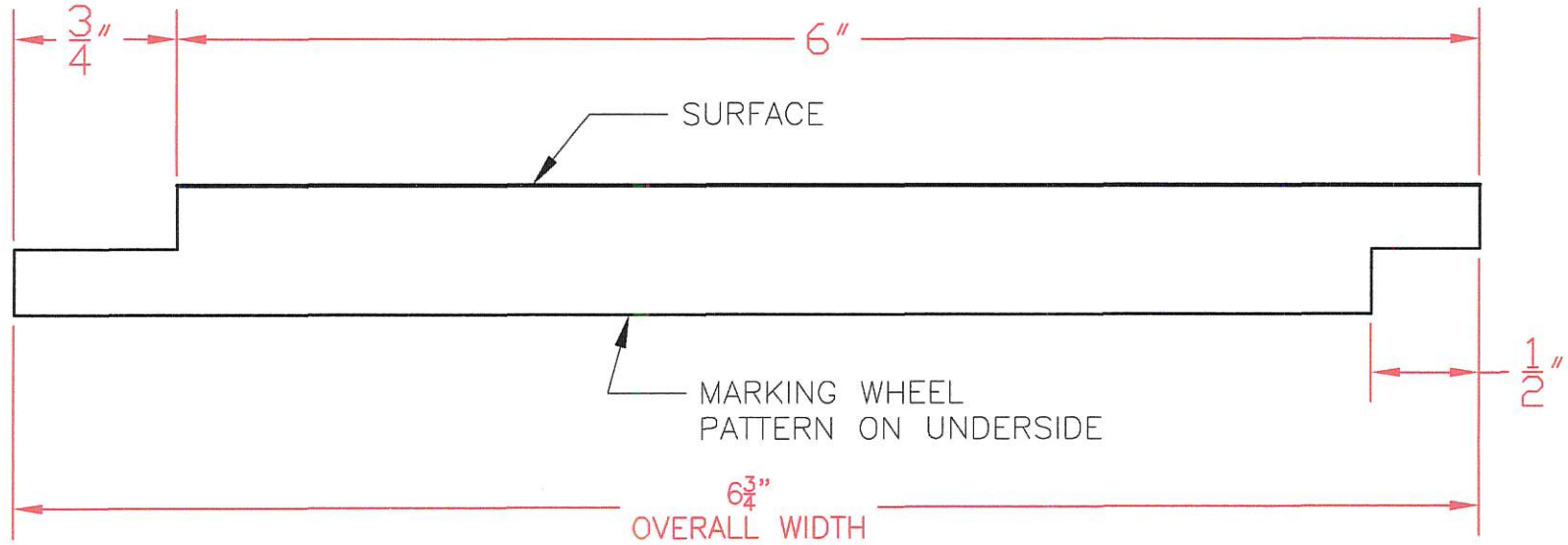
THIS DOCUMENT CONTAINS PROPRIETARY INFORMATION WHICH SHALL NOT BE REPRODUCED, TRANSFERRED TO OTHER DOCUMENTS, DISCLOSED TO OTHERS, USED FOR MANUFACTURING OR ANY OTHER PURPOSE WITHOUT PRIOR WRITTEN PERMISSION BY JAIN AMERICA HOLDINGS

JAIN BUILDING PRODUCTS
6" MODERN SHIPLAP 1/2" GROOVE
NUCEDAR PRODUCT DRAWING

APPROVALS			DATE			
DRAWN	PHS	3/15/20	SIZE	MACHINE ID.	DRAWING NO.	REV.
ISSUED	PHS	3/15/20	A	WEINIG	SL-105r00	
REVISED			SCALE: NTS	FILE: SL-105r00.dwg	SHEET 1 OF 1	

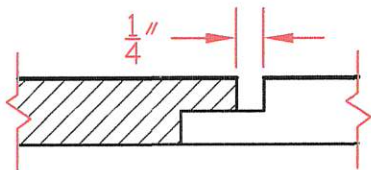
PRODUCT DRAWING

REV.	DATE	DESCRIPTION



6" MODERN SHIPLAP w/ 1/4" GROOVE

FIT DETAIL (1/2 SCALE)



NOTE:
SURFACES AVAILABLE: SMOOTH, WOOD GRAIN or
ROUGH SAWN (BRUSHED)

THIS DOCUMENT CONTAINS
PROPRIETARY INFORMATION WHICH
SHALL NOT BE REPRODUCED,
TRANSFERRED TO OTHER DOCUMENTS,
DISCLOSED TO OTHERS, USED FOR
MANUFACTURING OR ANY OTHER
PURPOSE WITHOUT PRIOR WRITTEN
PERMISSION BY JAIN AMERICA HOLDINGS

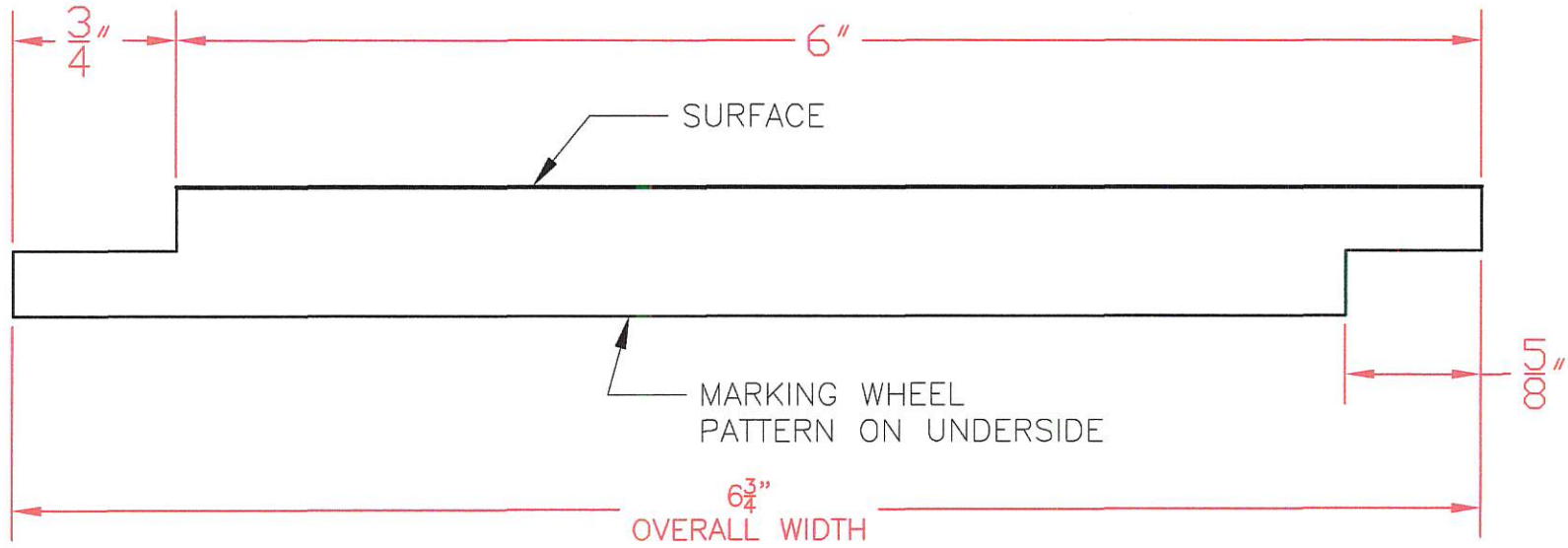
JAIN BUILDING PRODUCTS

6" MODERN SHIPLAP 1/4" GROOVE
NUCEDAR PRODUCT DRAWING

APPROVALS			DATE			
DRAWN	PHS	3/15/20	SIZE	MACHINE ID.	DRAWING NO.	REV.
ISSUED	PHS	3/15/20	A	WEINIG	SL-106r00	
REVISED			SCALE: NTS	FILE: SL-106r00.dwg	SHEET 1 OF 1	

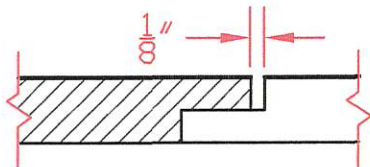
PRODUCT DRAWING

REV.	DATE	DESCRIPTION



6" MODERN SHIPLAP w/ 1/8" GROOVE

FIT DETAIL (1/2 SCALE)



NOTE:
SURFACES AVAILABLE: SMOOTH, WOOD GRAIN or
ROUGH SAWN (BRUSHED)

THIS DOCUMENT CONTAINS
PROPRIETARY INFORMATION WHICH
SHALL NOT BE REPRODUCED,
TRANSFERRED TO OTHER DOCUMENTS,
DISCLOSED TO OTHERS, USED FOR
MANUFACTURING OR ANY OTHER
PURPOSE WITHOUT PRIOR WRITTEN
PERMISSION BY JAIN AMERICA HOLDINGS

JAIN BUILDING PRODUCTS

6" MODERN SHIPLAP 1/8" GROOVE
NUCEDAR PRODUCT DRAWING

APPROVALS		DATE	SIZE	MACHINE ID.	DRAWING NO.	REV.
DRAWN	PHS	3/15/20	A	WEINIG	SL-107r00	
ISSUED	PHS	3/15/20				
REVISED						