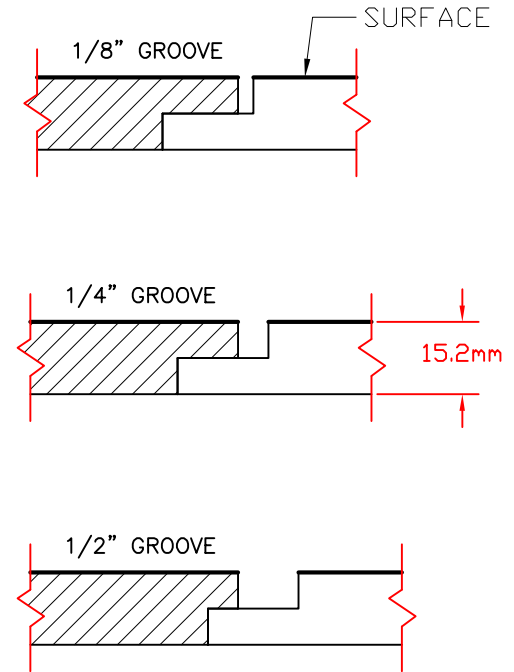
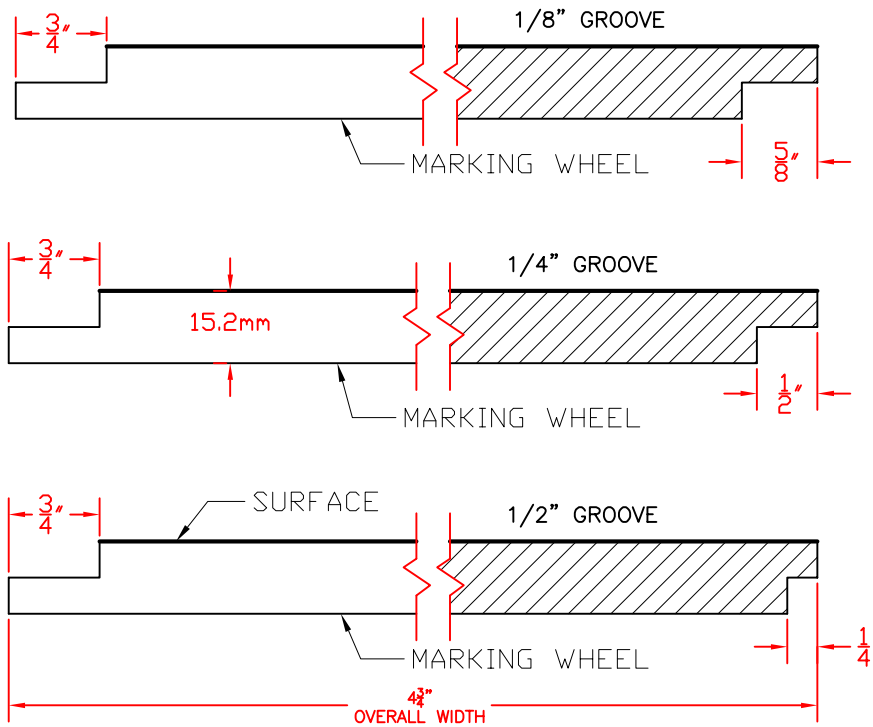


# PRODUCT DRAWING

REV.	DATE	DESCRIPTION

## FIT DETAIL



NOTE:  
SURFACES AVAILABLE: SMOOTH, WOOD GRAIN or  
ROUGH SAWN (BRUSHED)

THIS DOCUMENT CONTAINS  
PROPRIETARY INFORMATION WHICH  
SHALL NOT BE REPRODUCED,  
TRANSFERRED TO OTHER DOCUMENTS,  
DISCLOSED TO OTHERS, USED FOR  
MANUFACTURING OR ANY OTHER  
PURPOSE WITHOUT PRIOR WRITTEN  
PERMISSION BY JAIN AMERICA HOLDINGS

**JAIN BUILDING PRODUCTS**

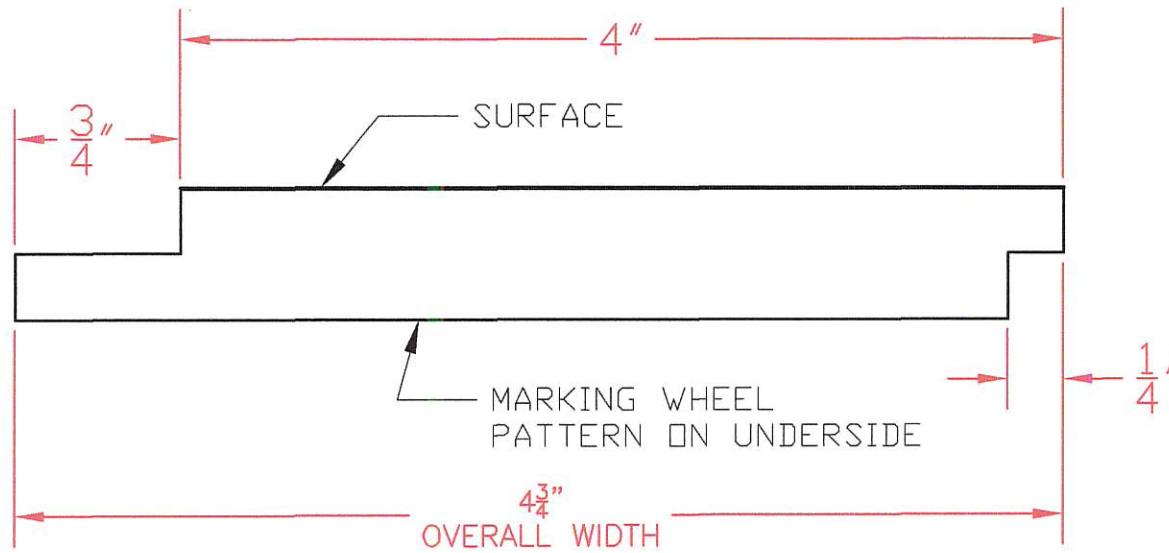
**4" MODERN SHIPLAP**

NUCEDAR PRODUCT DRAWING

APPROVALS			DATE			
DRAWN	PHS	3/12/19	SIZE	MACHINE ID.	DRAWING NO.	REV.
ISSUED	PHS	3/22/19	A	WEINIG	SL-011r03	3
REVISED	PHS	10/9/23	SCALE: NTS	FILE: SL-011r03.dwg	SHEET 1 OF 1	

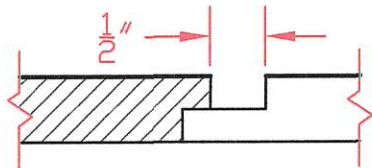
# PRODUCT DRAWING

REV.	DATE	DESCRIPTION



4" MODERN SHIPLAP w/ 1/2" GROOVE

FIT DETAIL (1/2 SCALE)



NOTE:  
 SURFACES AVAILABLE: SMOOTH, WOOD GRAIN or  
 ROUGH SAWN (BRUSHED)

THIS DOCUMENT CONTAINS  
 PROPRIETARY INFORMATION WHICH  
 SHALL NOT BE REPRODUCED,  
 TRANSFERRED TO OTHER DOCUMENTS,  
 DISCLOSED TO OTHERS, USED FOR  
 MANUFACTURING OR ANY OTHER  
 PURPOSE WITHOUT PRIOR WRITTEN  
 PERMISSION BY JAIN AMERICA HOLDINGS

**JAIN BUILDING PRODUCTS**

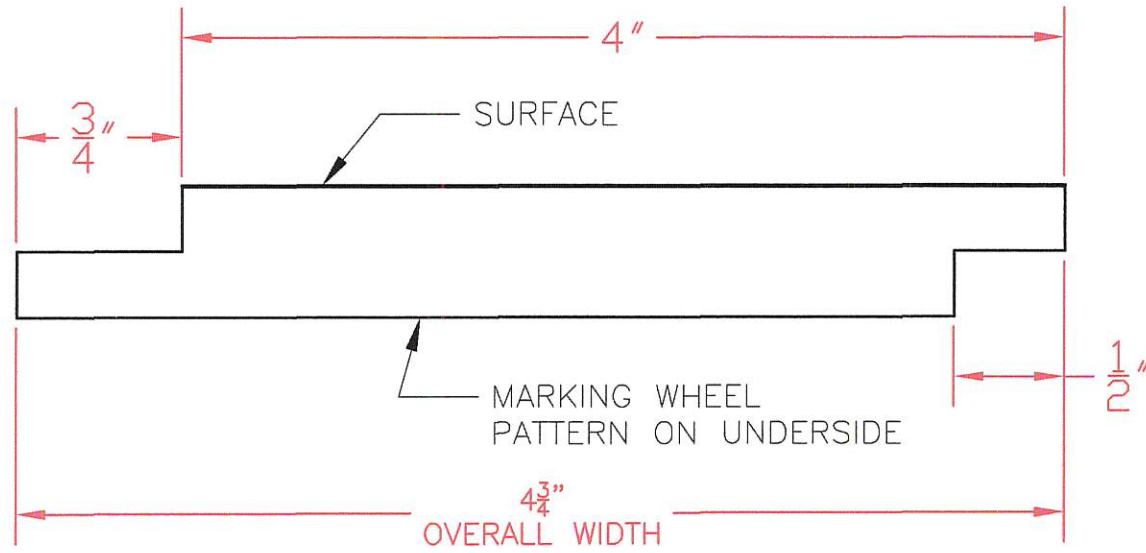
4" MODERN SHIPLAP 1/2" GROOVE  
 NUCEDAR PRODUCT DRAWING

APPROVALS			DATE		SIZE	MACHINE ID.	DRAWING NO.	REV.
DRAWN	PHS		3/15/20		A	WEINIG	SL-101r00	
ISSUED	PHS		3/15/20					
REVISED								

SCALE: NTS    FILE: SL-101r00.dwg    SHEET 1 OF 1

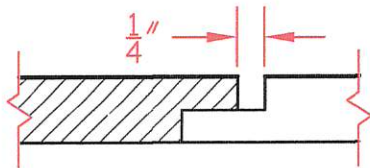
# PRODUCT DRAWING

REV.	DATE	DESCRIPTION



4" MODERN SHIPLAP w/ 1/4" GROOVE

FIT DETAIL (1/2 SCALE)



NOTE:  
 SURFACES AVAILABLE: SMOOTH, WOOD GRAIN or  
 ROUGH SAWN (BRUSHED)

THIS DOCUMENT CONTAINS  
 PROPRIETARY INFORMATION WHICH  
 SHALL NOT BE REPRODUCED,  
 TRANSFERRED TO OTHER DOCUMENTS,  
 DISCLOSED TO OTHERS, USED FOR  
 MANUFACTURING OR ANY OTHER  
 PURPOSE WITHOUT PRIOR WRITTEN  
 PERMISSION BY JAIN AMERICA HOLDINGS

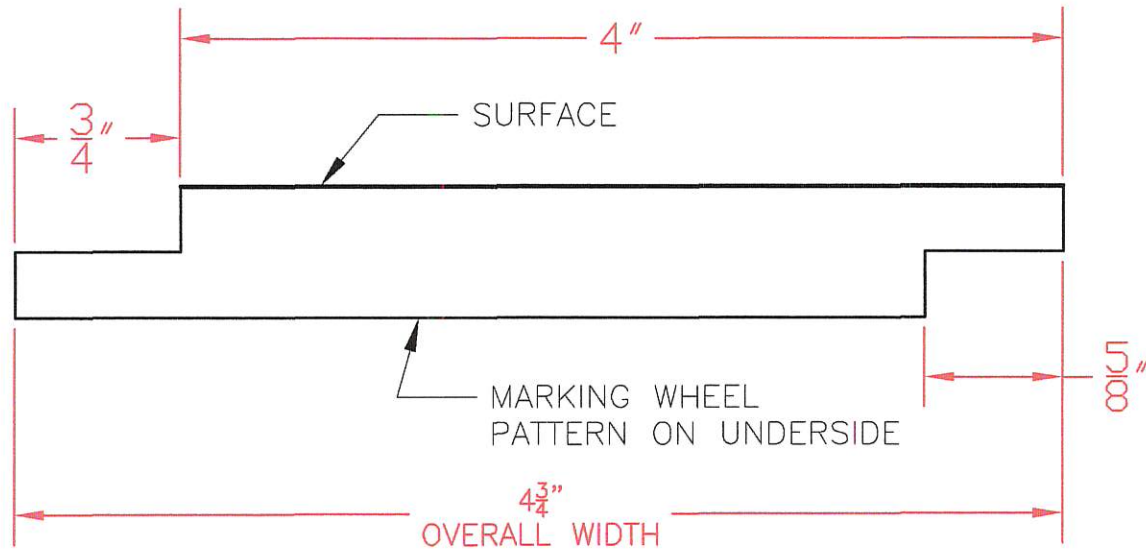
**JAIN BUILDING PRODUCTS**

4" MODERN SHIPLAP 1/4" GROOVE  
 NUCEDAR PRODUCT DRAWING

APPROVALS		DATE	SIZE	MACHINE ID.	DRAWING NO.	REV.
DRAWN	PHS	3/15/20	A	WEINIG	SL-102r00	
ISSUED	PHS	3/15/20				
REVISED						

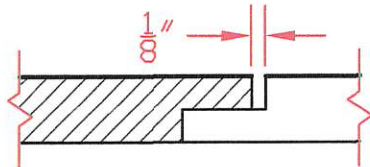
# PRODUCT DRAWING

REV.	DATE	DESCRIPTION



4" MODERN SHIPLAP w/ 1/8" GROOVE

FIT DETAIL (1/2 SCALE)



NOTE:  
SURFACES AVAILABLE: SMOOTH, WOOD GRAIN or  
ROUGH SAWN (BRUSHED)

THIS DOCUMENT CONTAINS  
PROPRIETARY INFORMATION WHICH  
SHALL NOT BE REPRODUCED,  
TRANSFERRED TO OTHER DOCUMENTS,  
DISCLOSED TO OTHERS, USED FOR  
MANUFACTURING OR ANY OTHER  
PURPOSE WITHOUT PRIOR WRITTEN  
PERMISSION BY JAIN AMERICA HOLDINGS

**JAIN BUILDING PRODUCTS**

4" MODERN SHIPLAP 1/8" GROOVE  
NUCEDAR PRODUCT DRAWING

APPROVALS		DATE	SIZE	MACHINE ID.	DRAWING NO.	REV.
DRAWN	PHS	3/15/20	A	WEINIG	SL-103r00	
ISSUED	PHS	3/15/20				
REVISED						