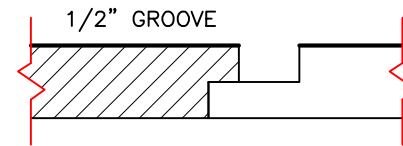
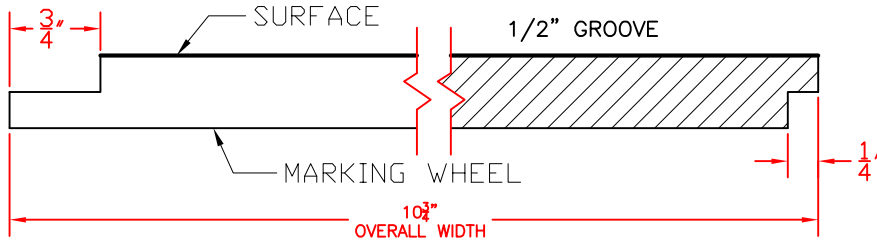
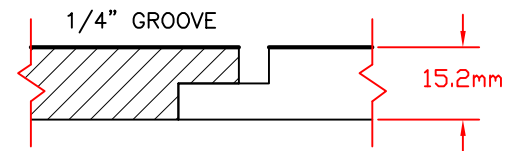
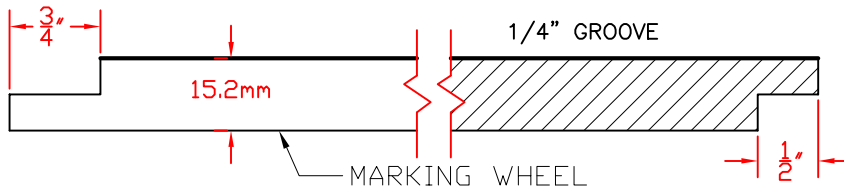
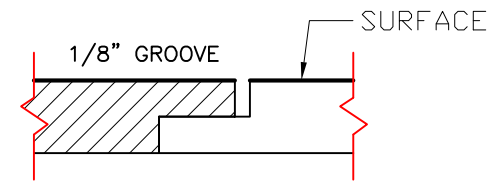
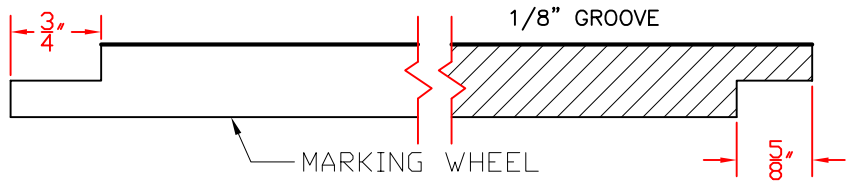


PRODUCT DRAWING

REV.	DATE	DESCRIPTION

FIT DETAIL



NOTE:
 SURFACES AVAILABLE: SMOOTH, WOOD GRAIN or
 ROUGH SAWN (BRUSHED)

THIS DOCUMENT CONTAINS
 PROPRIETARY INFORMATION WHICH
 SHALL NOT BE REPRODUCED,
 TRANSFERRED TO OTHER DOCUMENTS,
 DISCLOSED TO OTHERS, USED FOR
 MANUFACTURING OR ANY OTHER
 PURPOSE WITHOUT PRIOR WRITTEN
 PERMISSION BY JAIN AMERICA HOLDINGS

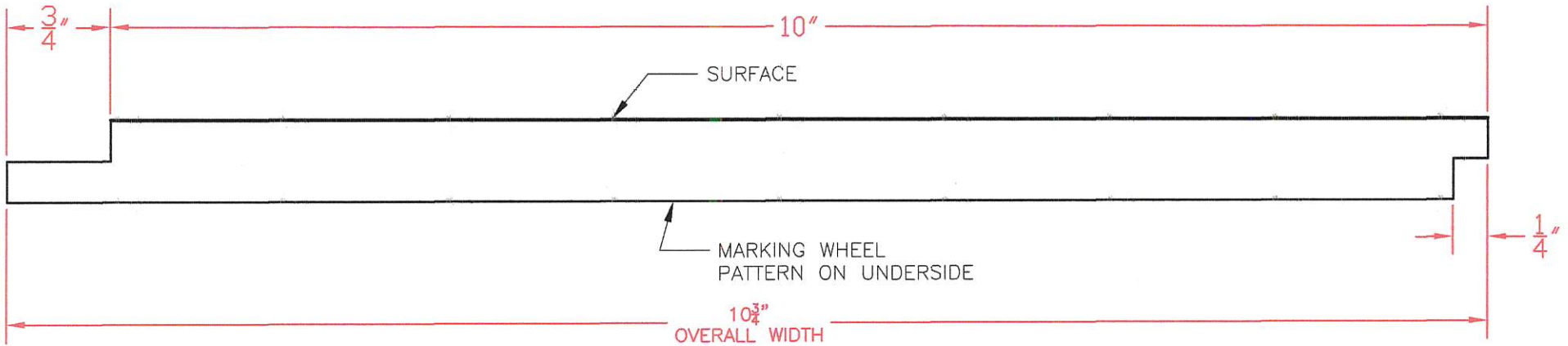
JAIN BUILDING PRODUCTS

10" MODERN SHIPLAP
 NUCEDAR PRODUCT DRAWING

APPROVALS			DATE			
DRAWN	PHS	4/4/19	SIZE	MACHINE ID.	DRAWING NO.	REV.
ISSUED	PHS	5/1/19	A	WEINIG	SL-050r02	2
REVISED	PHS	10/9/23	SCALE: NTS	FILE: SL-050r02.dwg	SHEET 1 OF 1	

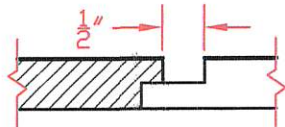
PRODUCT DRAWING

REV.	DATE	DESCRIPTION



10" MODERN SHIPLAP w/ 1/2" GROOVE

FIT DETAIL (1/2 SCALE)



NOTE:
 SURFACES AVAILABLE: SMOOTH, WOOD GRAIN or
 ROUGH SAWN (BRUSHED)

THIS DOCUMENT CONTAINS
 PROPRIETARY INFORMATION WHICH
 SHALL NOT BE REPRODUCED,
 TRANSFERRED TO OTHER DOCUMENTS,
 DISCLOSED TO OTHERS, USED FOR
 MANUFACTURING OR ANY OTHER
 PURPOSE WITHOUT PRIOR WRITTEN
 PERMISSION BY JAIN AMERICA HOLDINGS

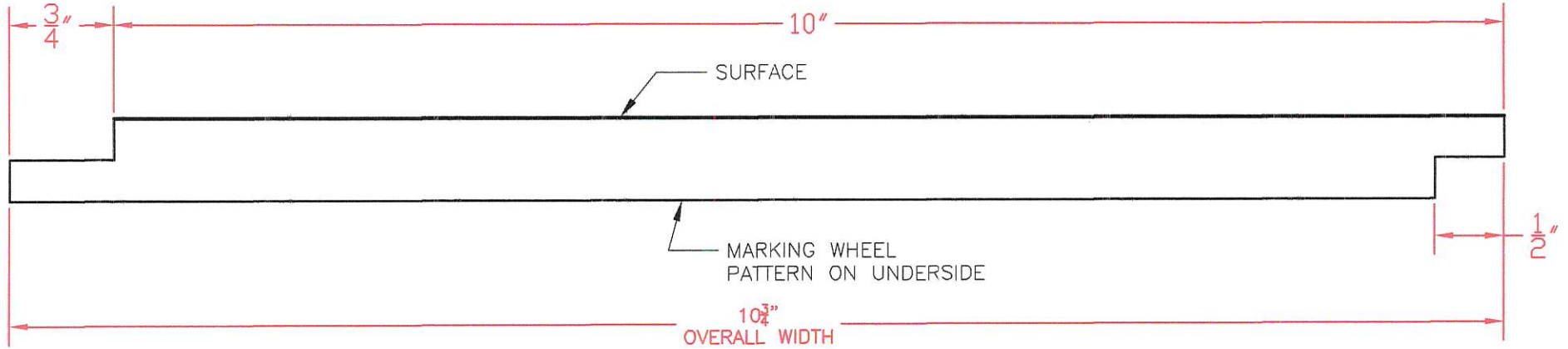
JAIN BUILDING PRODUCTS

10" MODERN SHIPLAP 1/2" GROOVE
 NUCEDAR PRODUCT DRAWING

APPROVALS			DATE			
DRAWN	PHS	3/15/20	SIZE	MACHINE ID.	DRAWING NO.	REV.
ISSUED	PHS	3/15/20	A	WEINIG	SL-113r00	
REVISED			SCALE: NTS	FILE: SL-113r00.dwg	SHEET 1 OF 1	

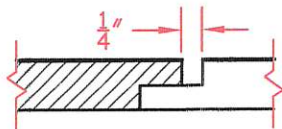
PRODUCT DRAWING

REV.	DATE	DESCRIPTION



10" MODERN SHIPLAP w/ 1/4" GROOVE

FIT DETAIL (1/2 SCALE)



NOTE:
 SURFACES AVAILABLE: SMOOTH, WOOD GRAIN or
 ROUGH SAWN (BRUSHED)

THIS DOCUMENT CONTAINS PROPRIETARY INFORMATION WHICH SHALL NOT BE REPRODUCED, TRANSFERRED TO OTHER DOCUMENTS, DISCLOSED TO OTHERS, USED FOR MANUFACTURING OR ANY OTHER PURPOSE WITHOUT PRIOR WRITTEN PERMISSION BY JAIN AMERICA HOLDINGS

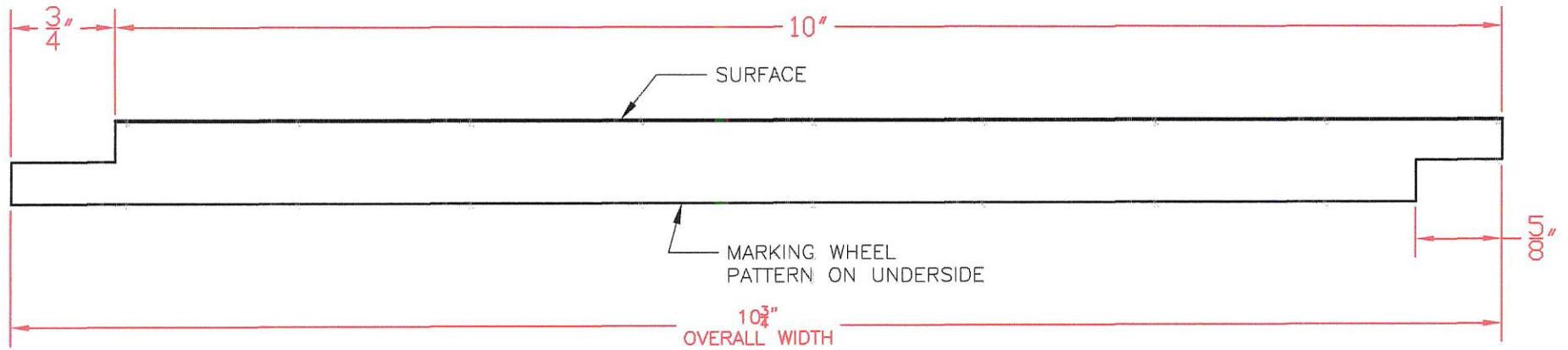
JAIN BUILDING PRODUCTS

10" MODERN SHIPLAP 1/4" GROOVE
 NUCEDAR PRODUCT DRAWING

APPROVALS			DATE			
DRAWN	PHS	3/15/20	SIZE	MACHINE ID.	DRAWING NO.	REV.
ISSUED	PHS	3/15/20	A	WEINIG	SL-114r00	
REVISED			SCALE: NTS	FILE: SL-114r00.dwg	SHEET 1 OF 1	

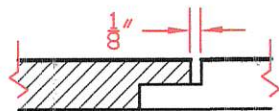
PRODUCT DRAWING

REV.	DATE	DESCRIPTION



10" MODERN SHIPLAP w/ 1/8" GROOVE

FIT DETAIL (1/2 SCALE)



NOTE:
SURFACES AVAILABLE: SMOOTH, WOOD GRAIN or
ROUGH SAWN (BRUSHED)

THIS DOCUMENT CONTAINS PROPRIETARY INFORMATION WHICH SHALL NOT BE REPRODUCED, TRANSFERRED TO OTHER DOCUMENTS, DISCLOSED TO OTHERS, USED FOR MANUFACTURING OR ANY OTHER PURPOSE WITHOUT PRIOR WRITTEN PERMISSION BY JAIN AMERICA HOLDINGS

JAIN BUILDING PRODUCTS

10" MODERN SHIPLAP 1/8" GROOVE
NUCEDAR PRODUCT DRAWING

APPROVALS		DATE	SIZE	MACHINE ID.	DRAWING NO.	REV.
DRAWN	PHS	3/15/20	A	WEINIG	SL-115r00	
ISSUED	PHS	3/15/20				
REVISED						

SCALE: NTS FILE: SL-115r00.dwg SHEET 1 OF 1